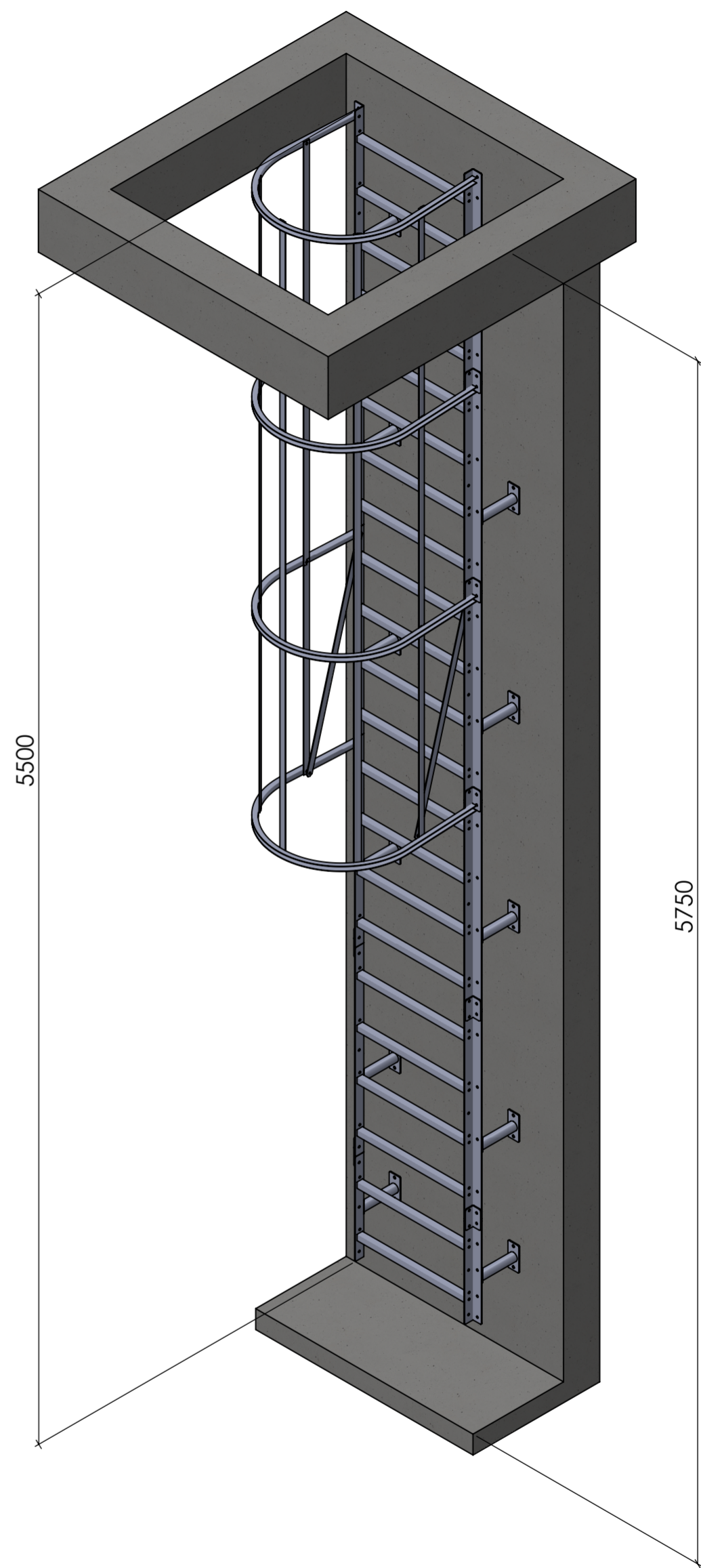
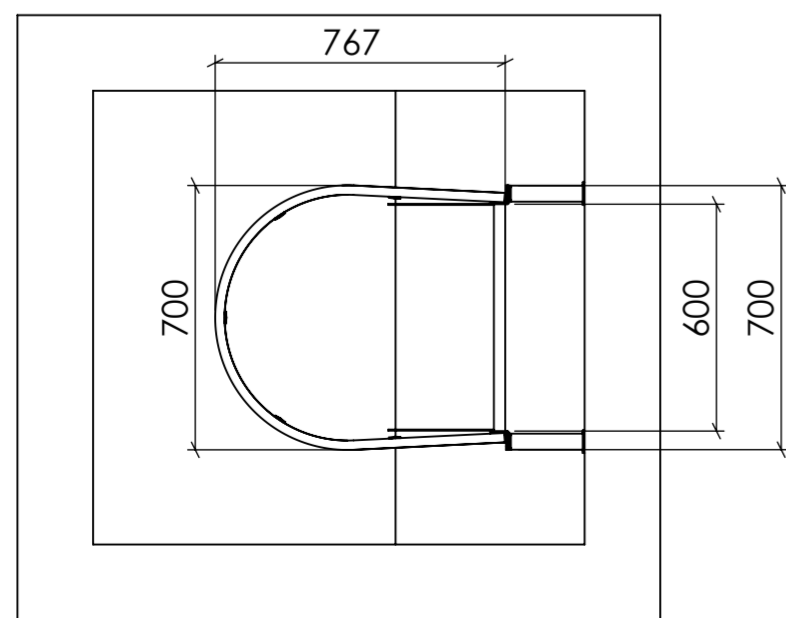
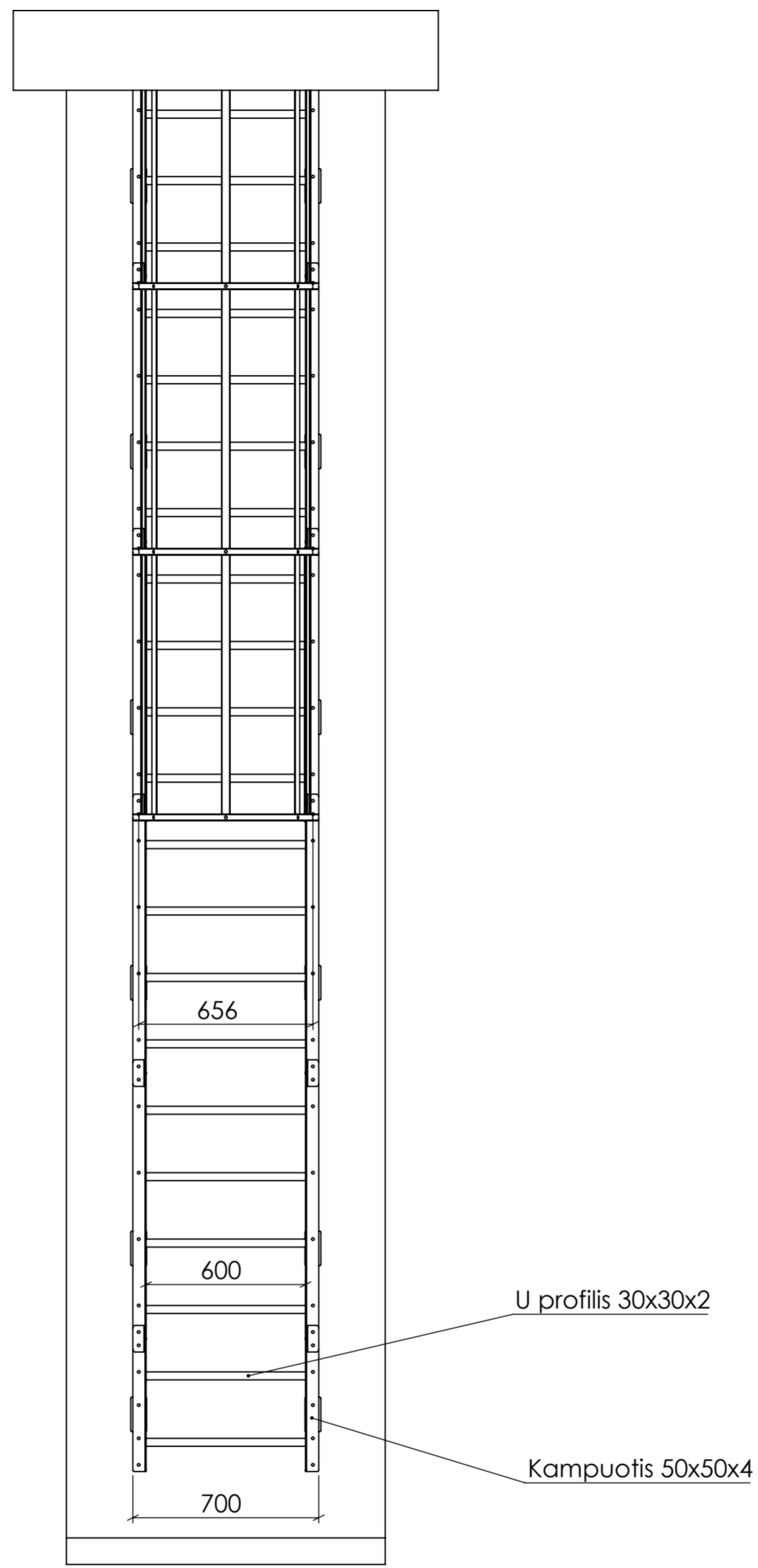
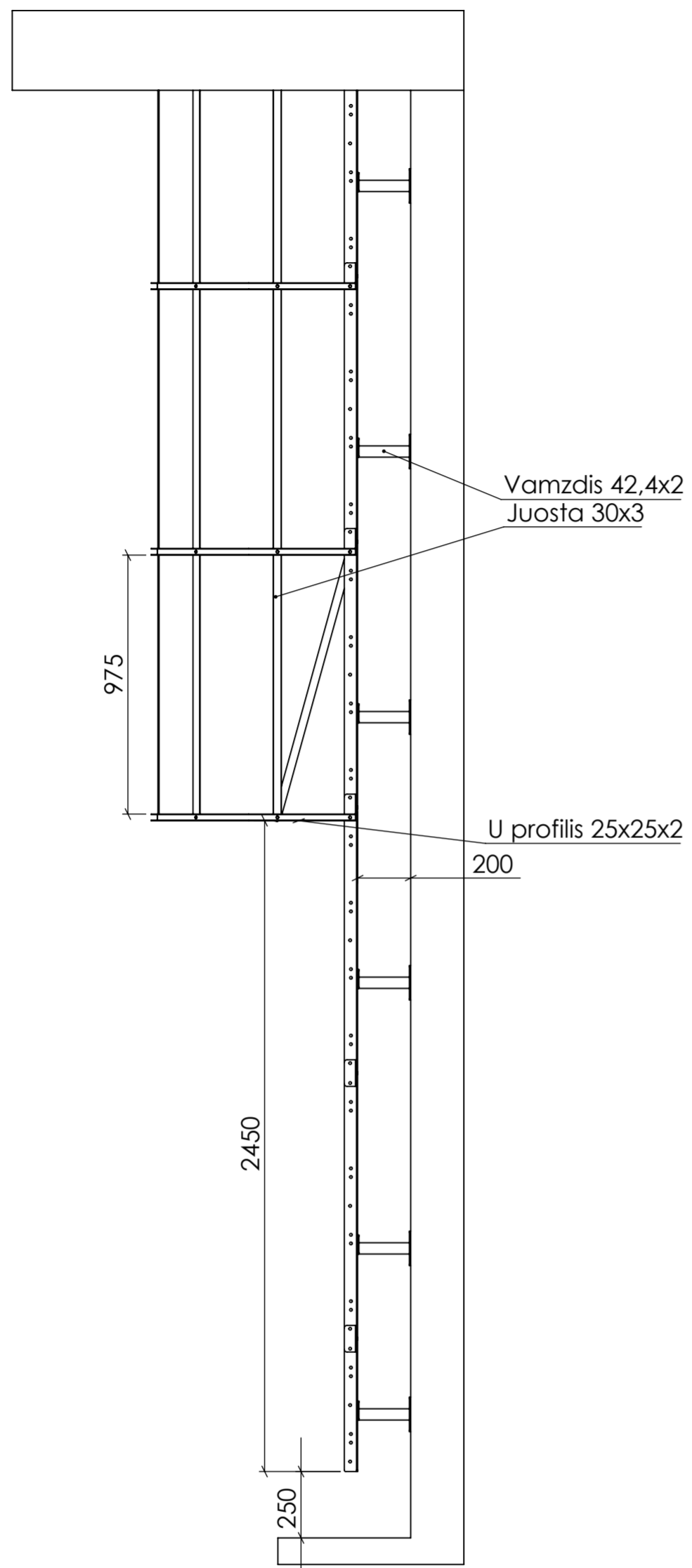


12 11 10 9 8 7 6 5 4 3 2 1


H G F E D C B A



Class of Tolerance		Permitted variations of main Range, mm				
Dimension	120-140	400-1000	1000-2000	2000-4000	4000-8000	
Tolerance	+1	+1.5	+2	+4	+8	
Dimension	0-10	10-50	50-120	120-400	over 400	
Tolerance	±1/30	±1	±0.30	±0.15	±0.10	

Essential manufacturing tolerances according EN 1090-2:2008

EN 1090-1:2009,+A1:2011, EXC2/EXC3

Info:				Pavadė, parašas / Last name, signature Inžinierius / Engineer		Data / Date 2024-01-25		Projektas / Project		Medžiaga / Material		Mastelis / Scale 1:100		Revizija / Revision	
Pav. padengimas / Surface treatment		RAL		Kiekis vnt.		Failo pavadinimas / File name		A006_CO_01 (KOP_5.5)		COSMOS CONSTRUCTION		Formatas / Sheet size A2		Lapų sk. / Total sheet 1	
Padengimo storis / Coating thickness						Kokybės patikra / Quality insp.				Lapų sk. / Total sheet 1					

12 11 10 9 8 7 6 5 4 3 2 1

A B C D E F G H