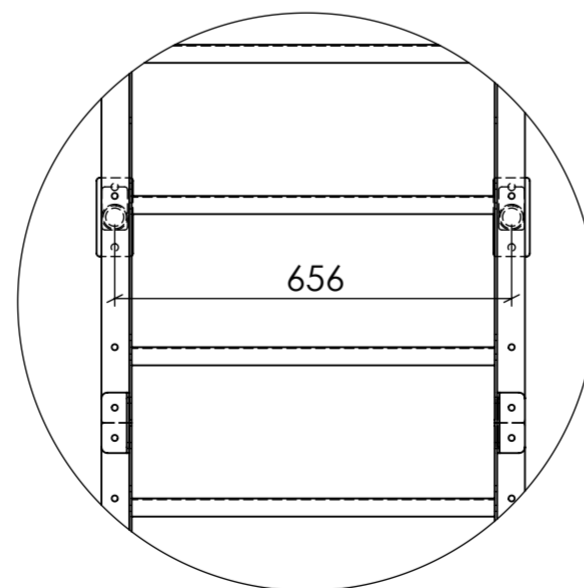
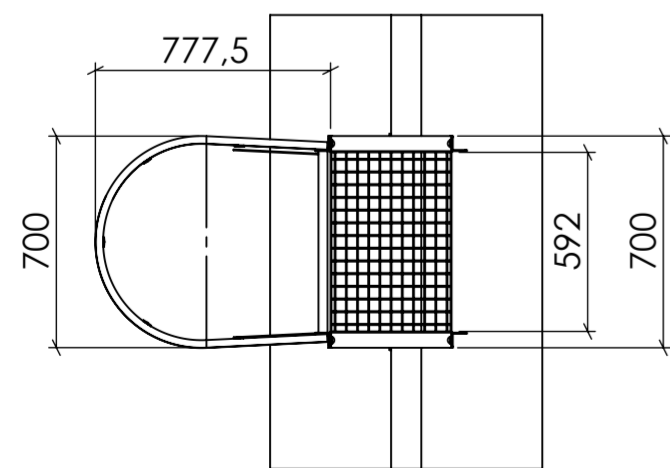
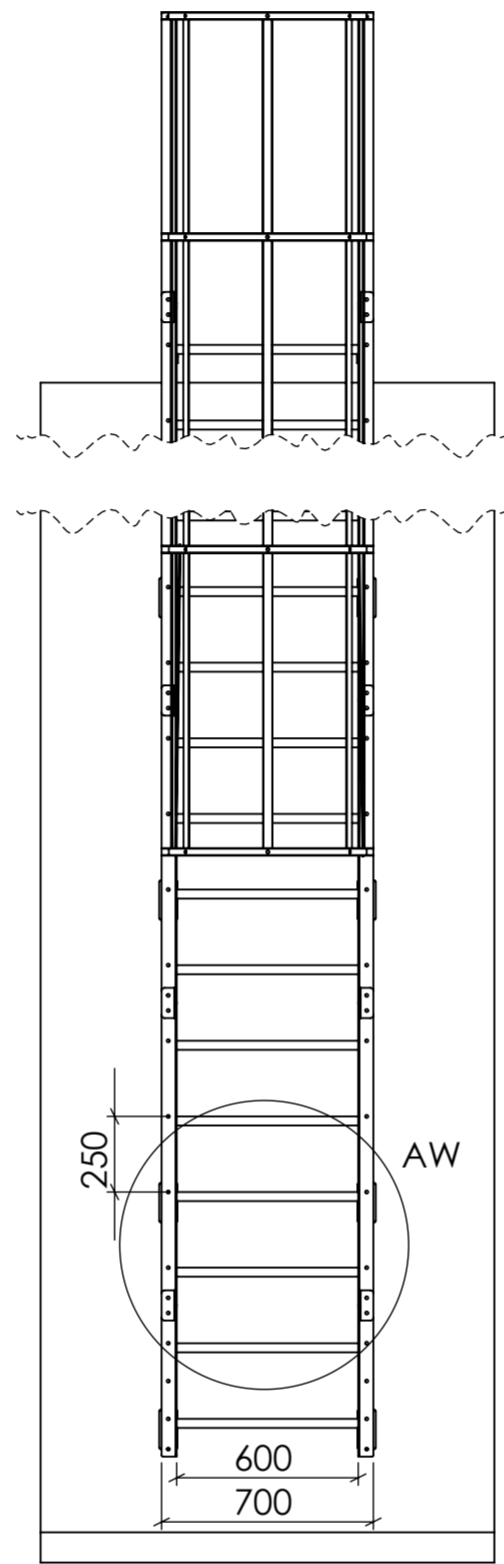
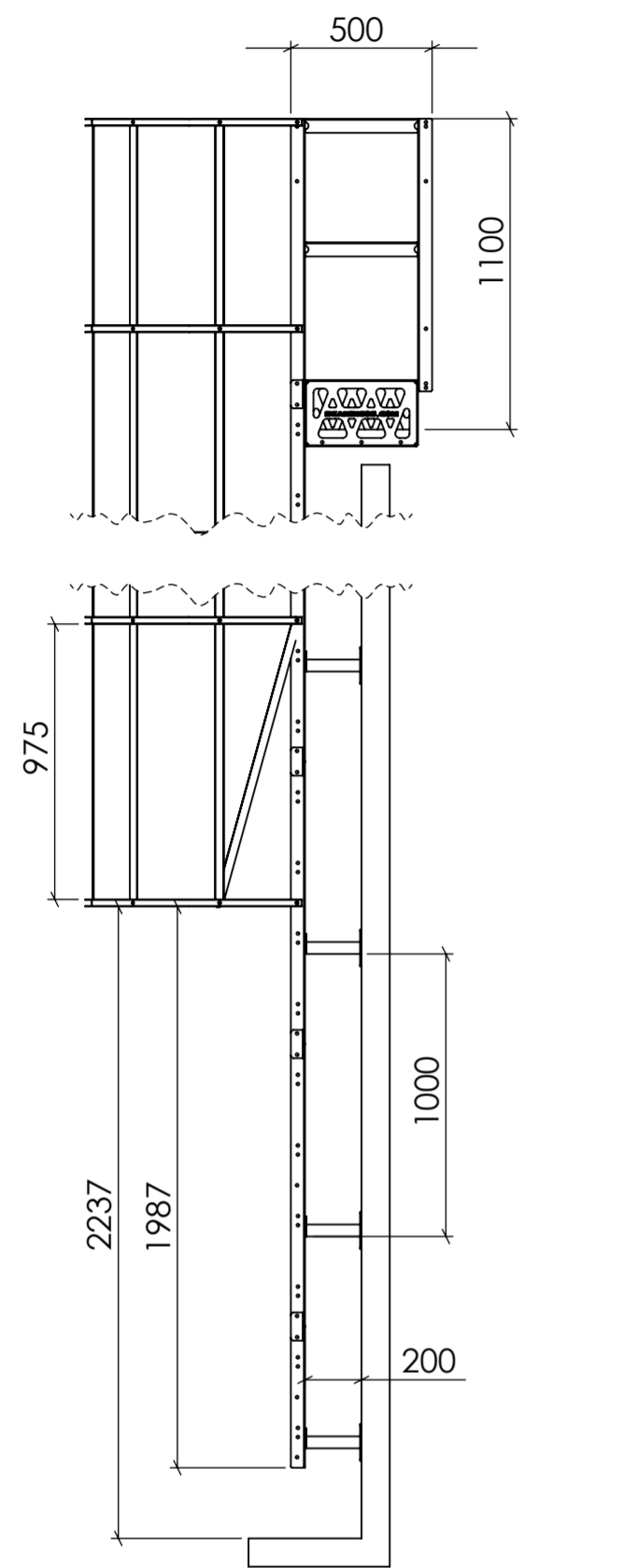


KOP_11.5



DETAIL AW
SCALE 2 : 25

