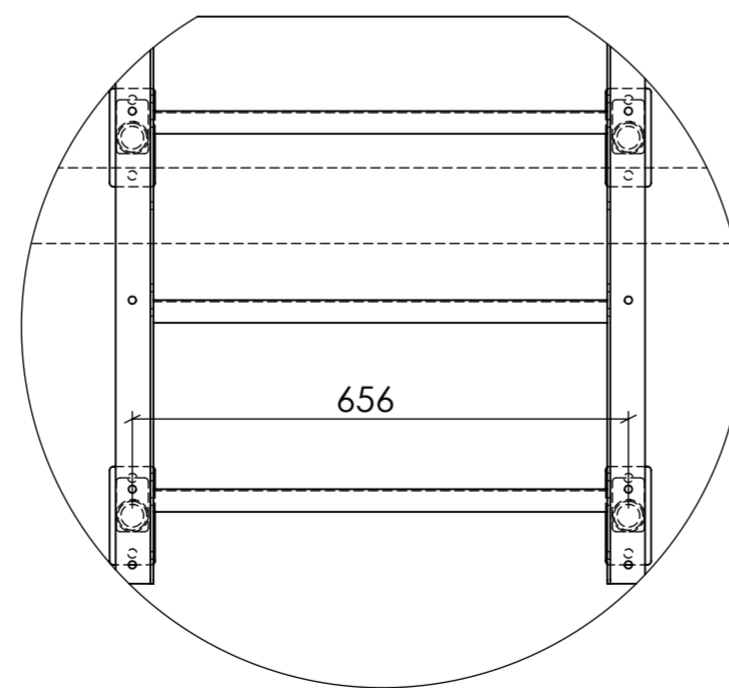
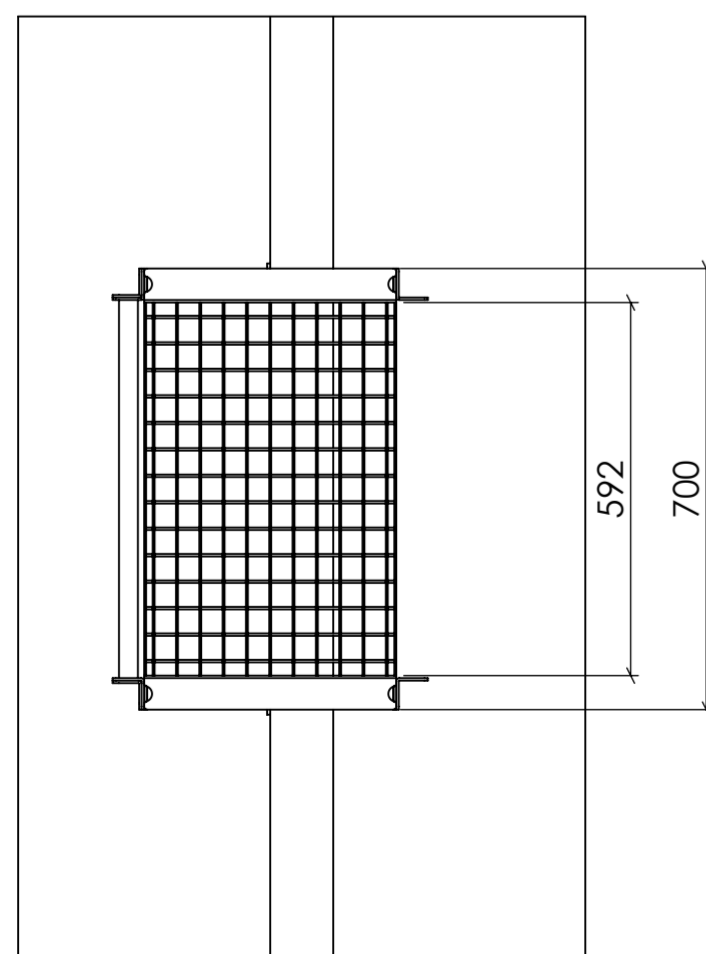
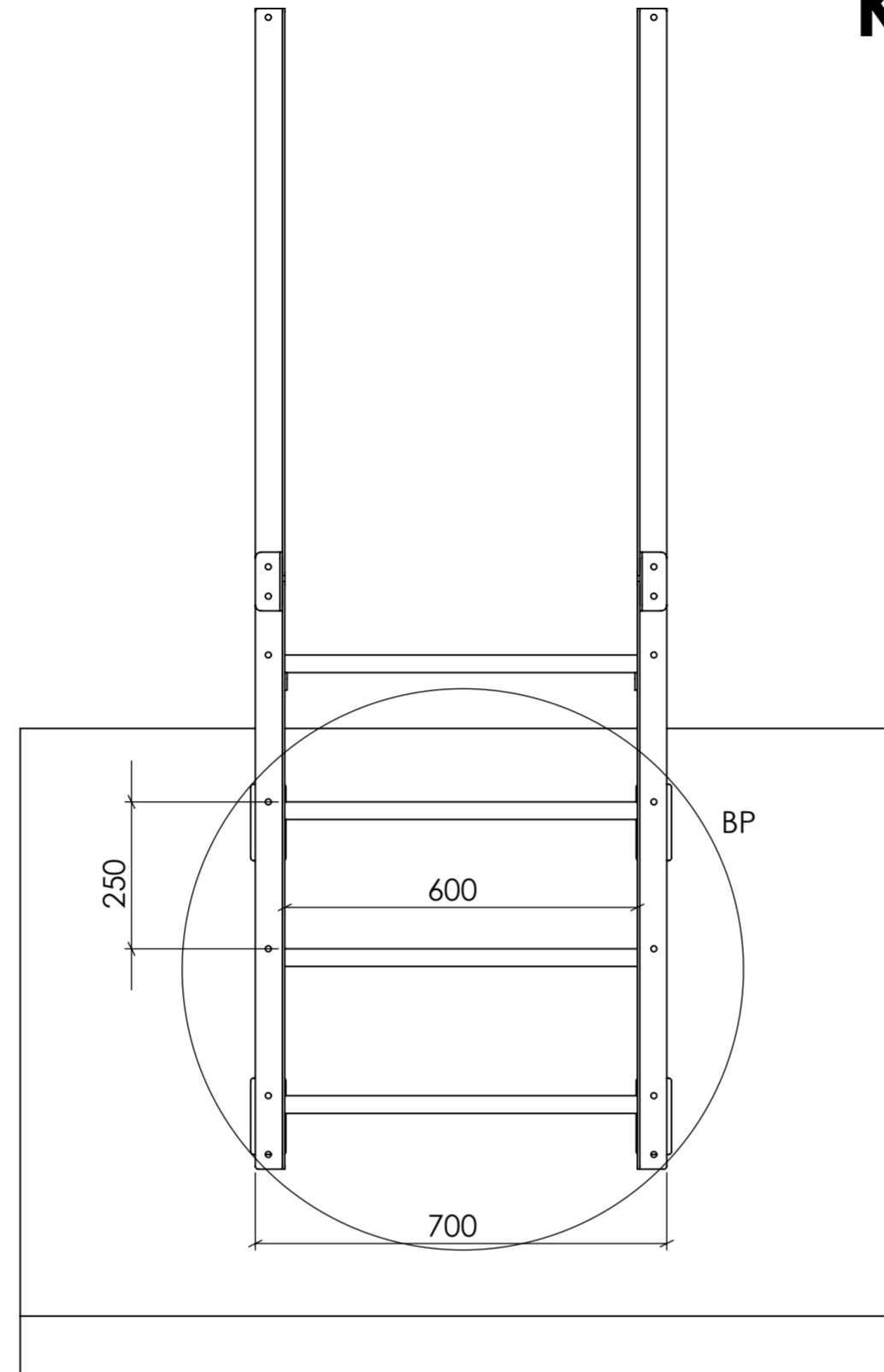
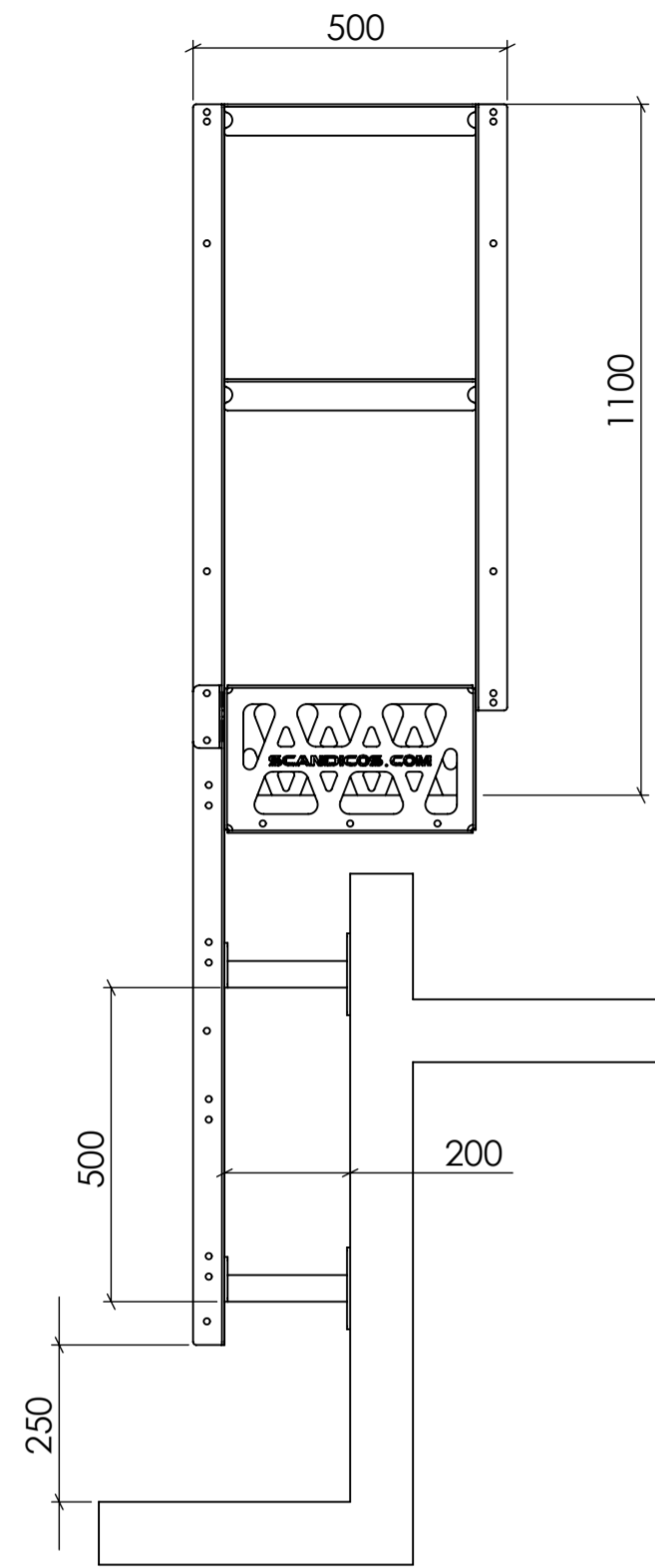


KOP_2.0



DETAIL BP
SCALE 1 : 10

