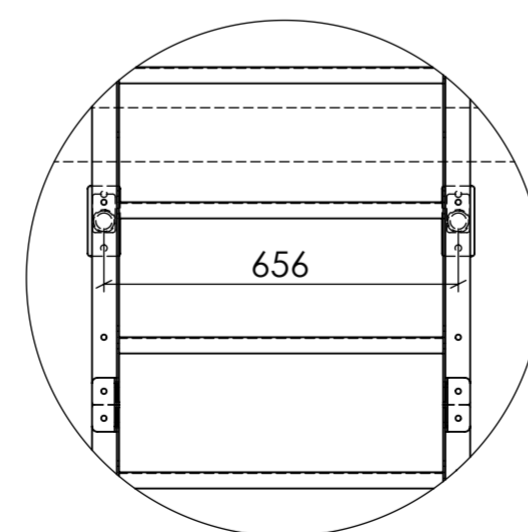
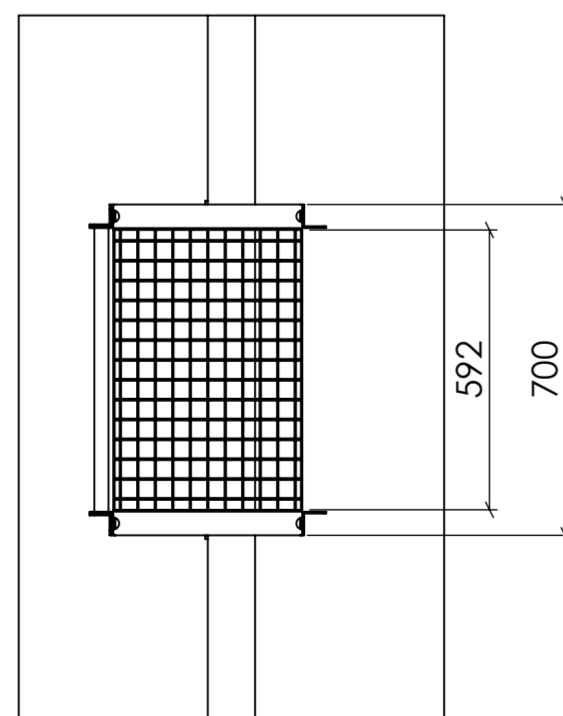
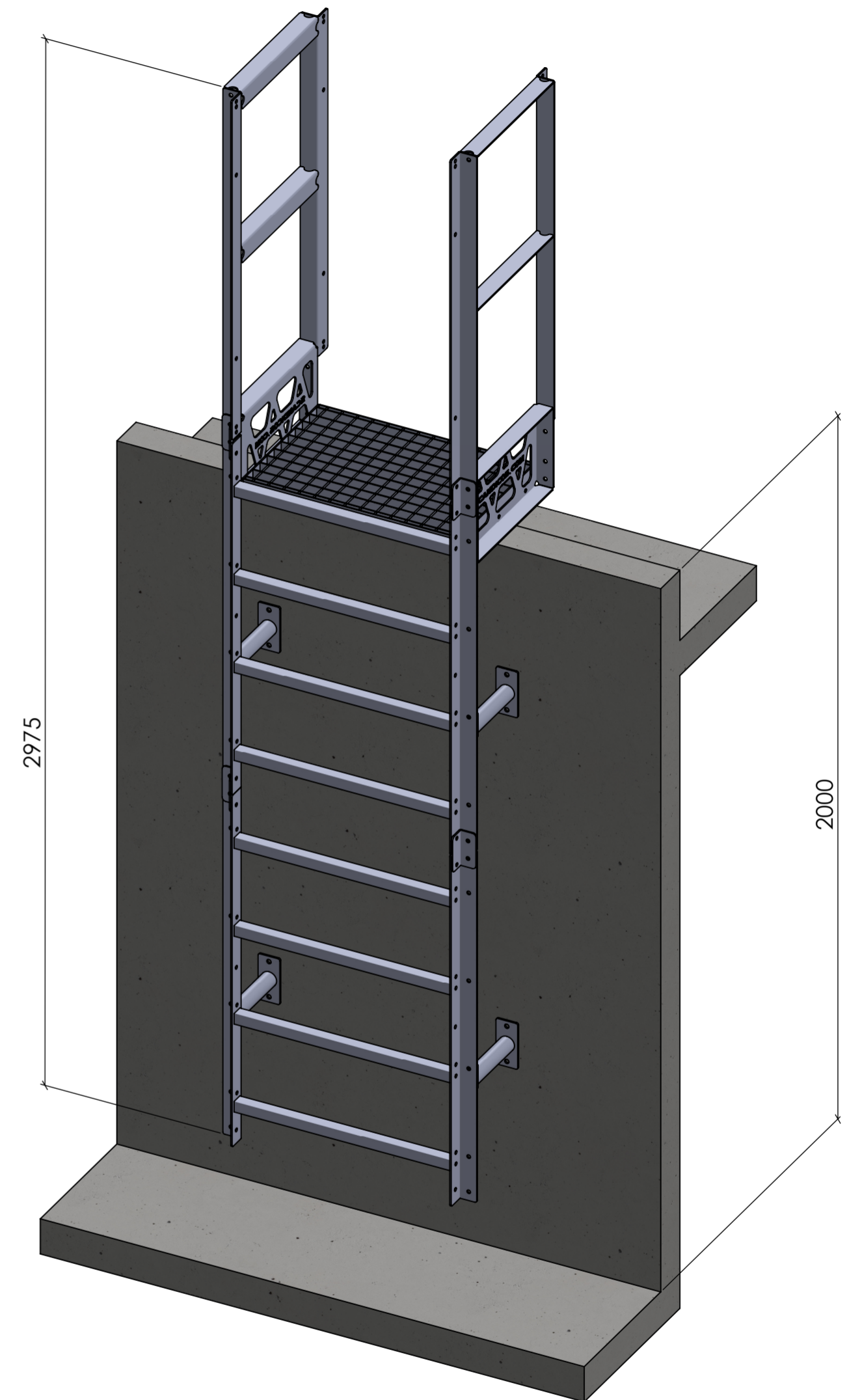
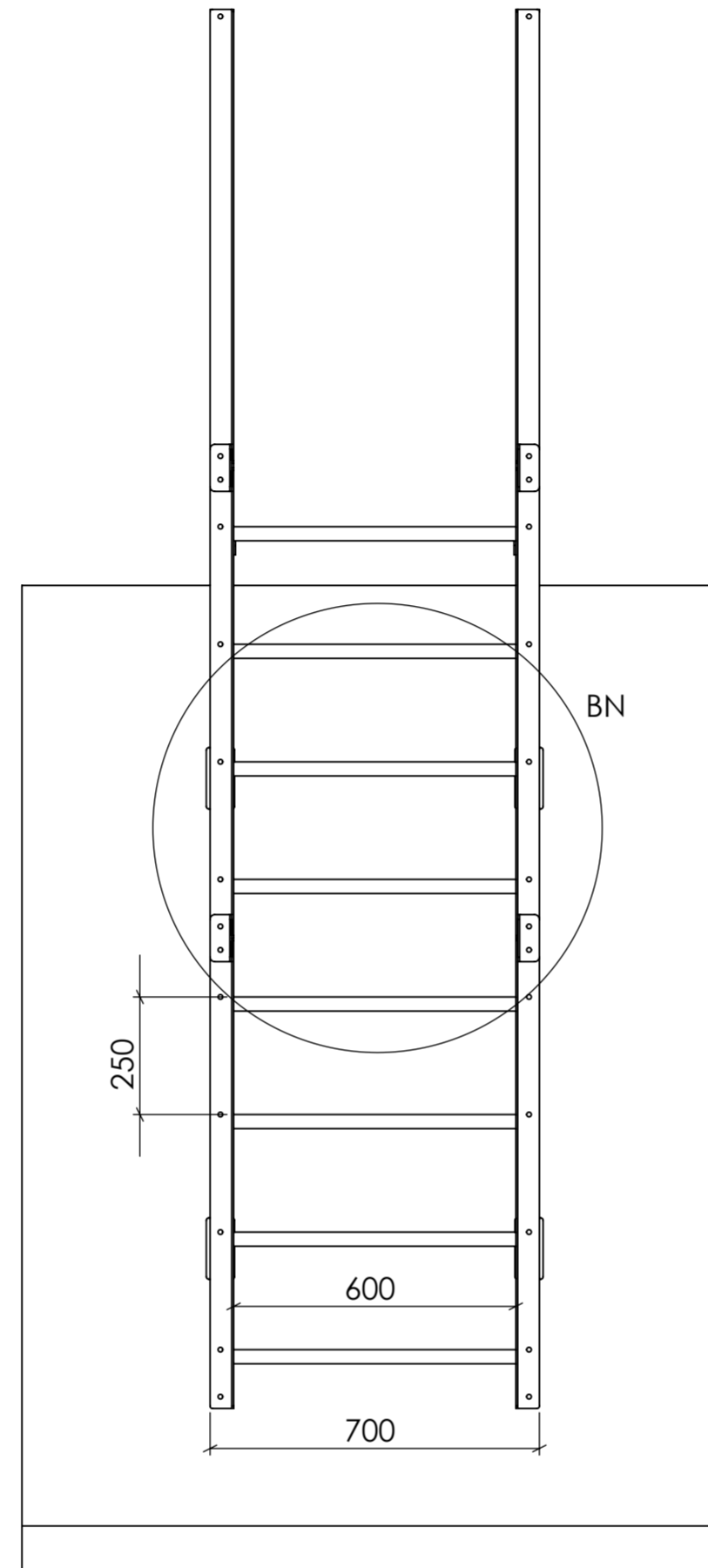
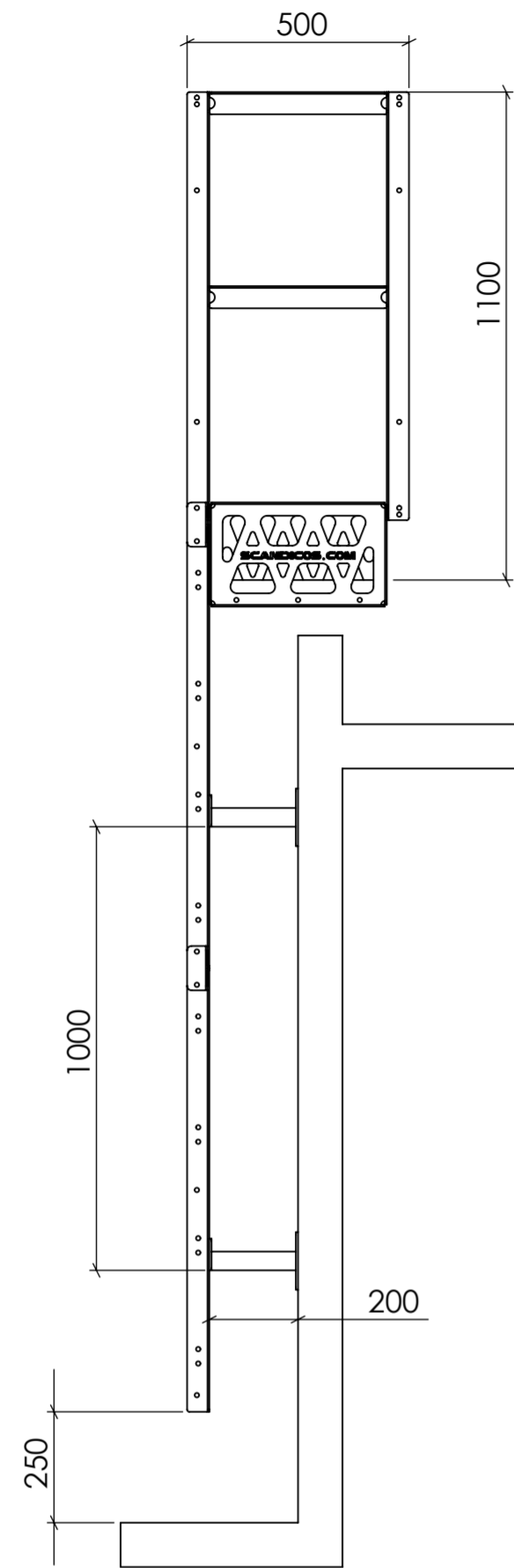


KOP_3.0



DETAIL BN
SCALE 1 : 14