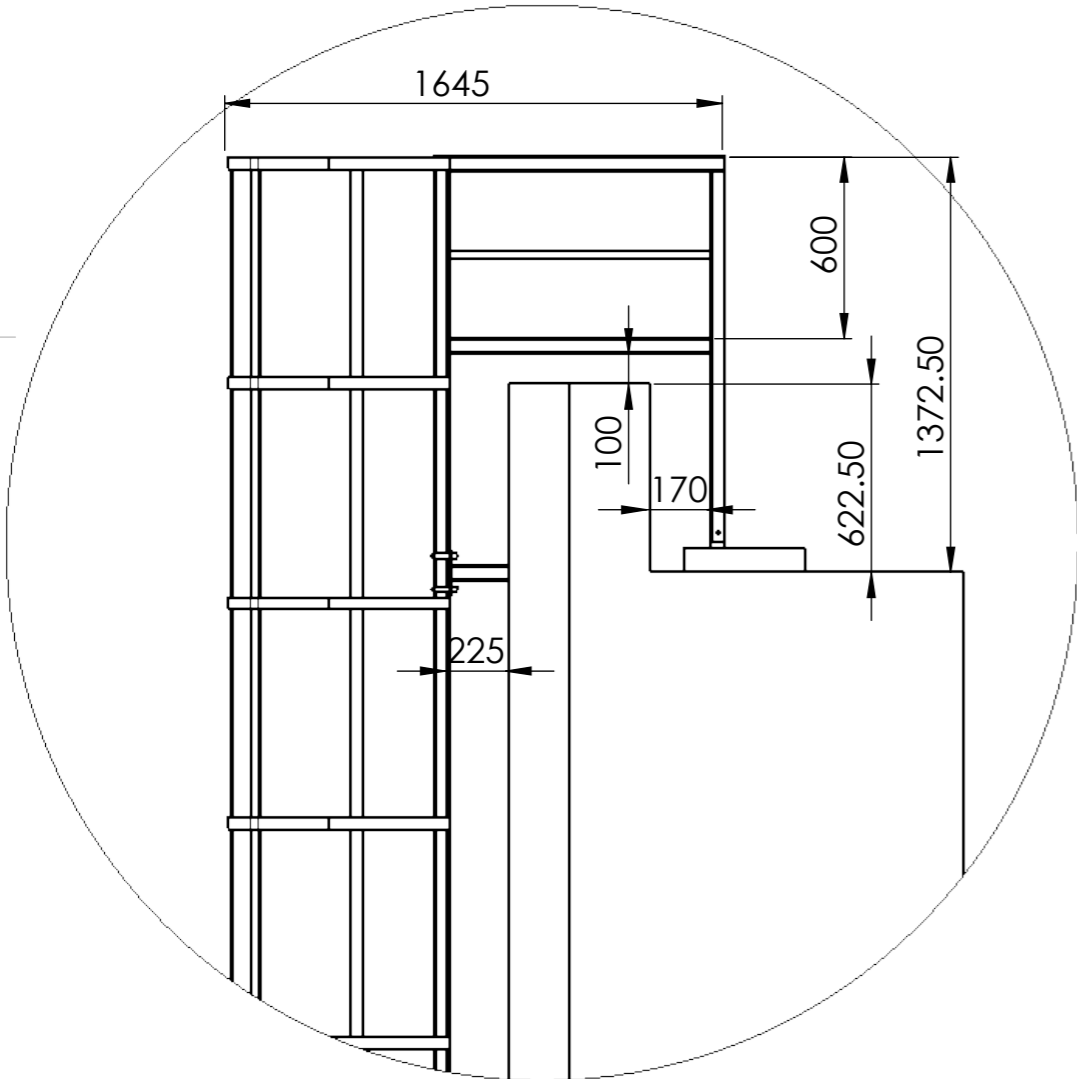
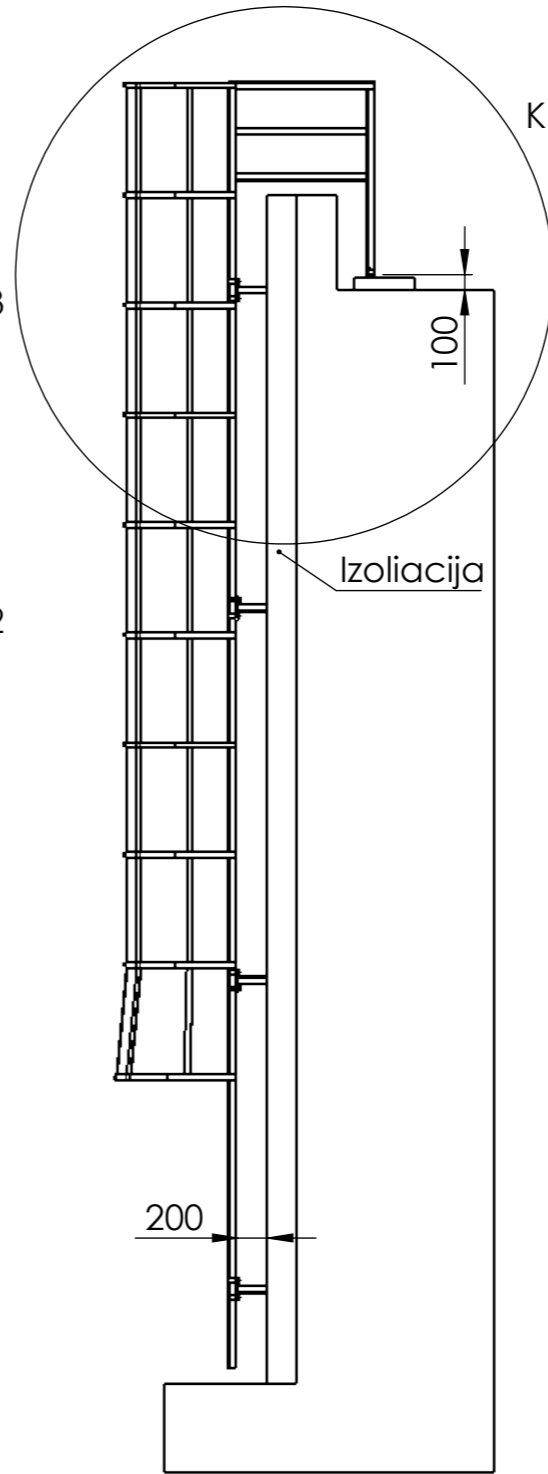
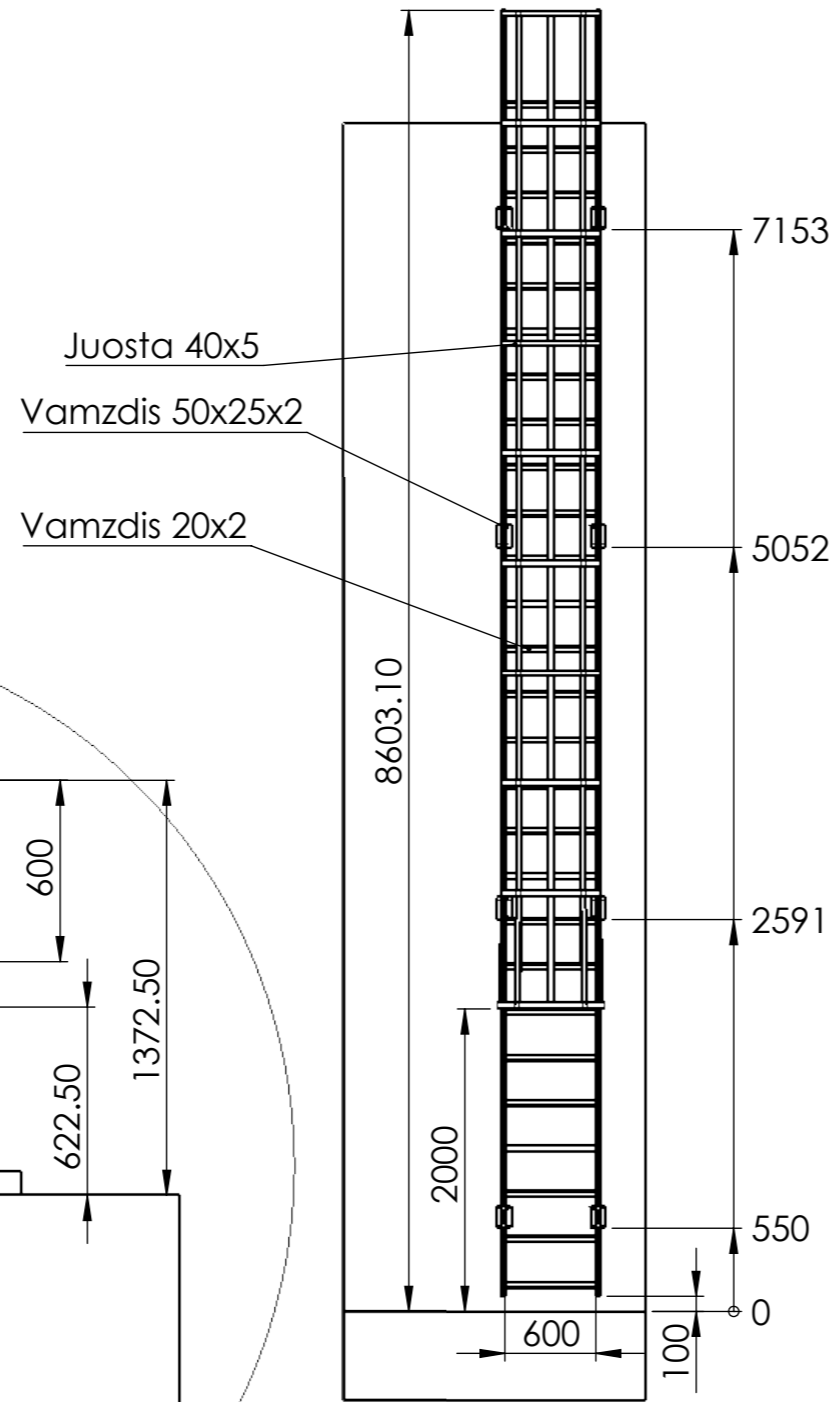
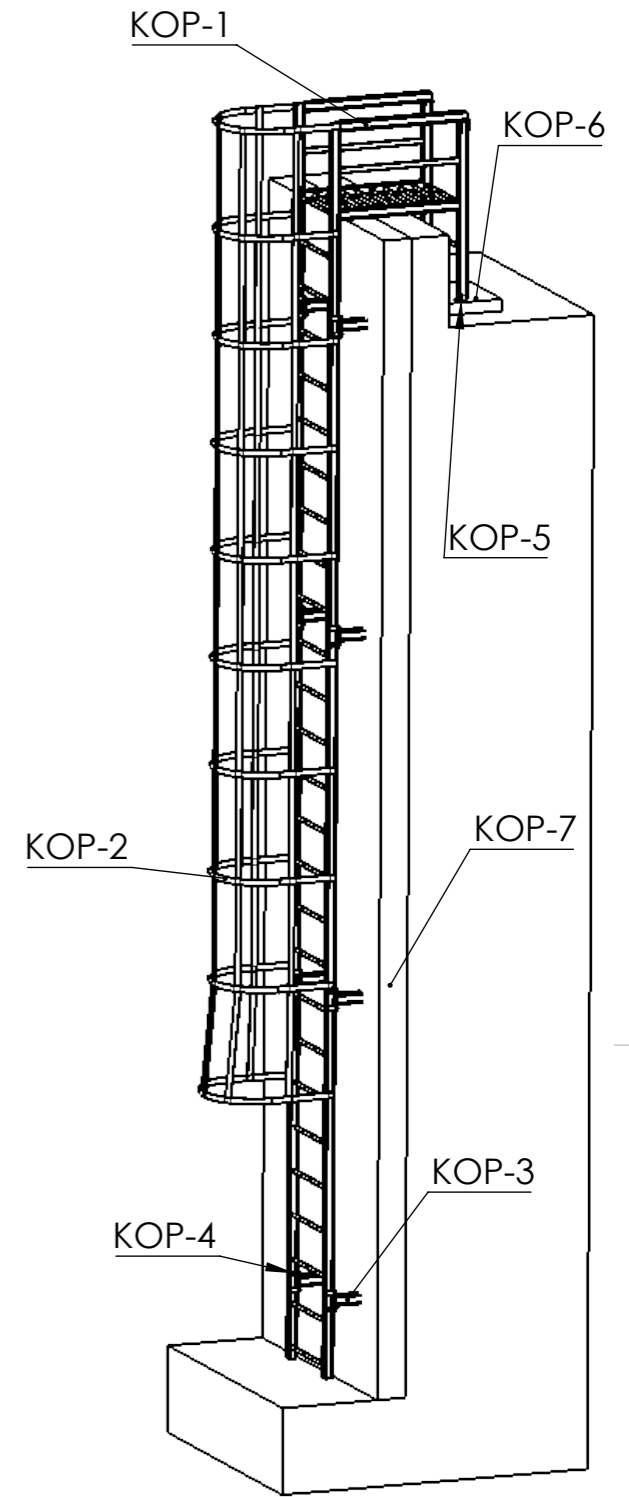
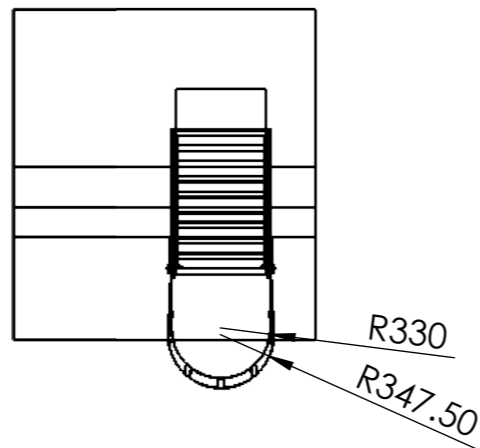


ITEM NO.	PART NUMBER	QTY.
1	KOP-1	1
2	KOP-3	8
3	KOP-4	16
4	KOP-5	2
5	KOP-6 (betoninė plokštė 600x400x80)	1
6	KOP-7 (Termo tarpinė 100x5x150)	8
7	65x50x5x10.0	2



DETAIL K  
SCALE 1 : 25



Į betono plokštę ankeriuojami M6x60 ankeriai  
Montavimo metu, į detalės KOP-3 vidų - įpurškiama montažinių putų

Designer  
**Ž. Jakštas**

**COSMOS**  
CONSTRUCTION

[www.metalworks.lt](http://www.metalworks.lt)

TITLE:

**KOP2**

Monday, June 11, 2018 11:12:25 AM

DWG NO.

**KOP-2\_7600**

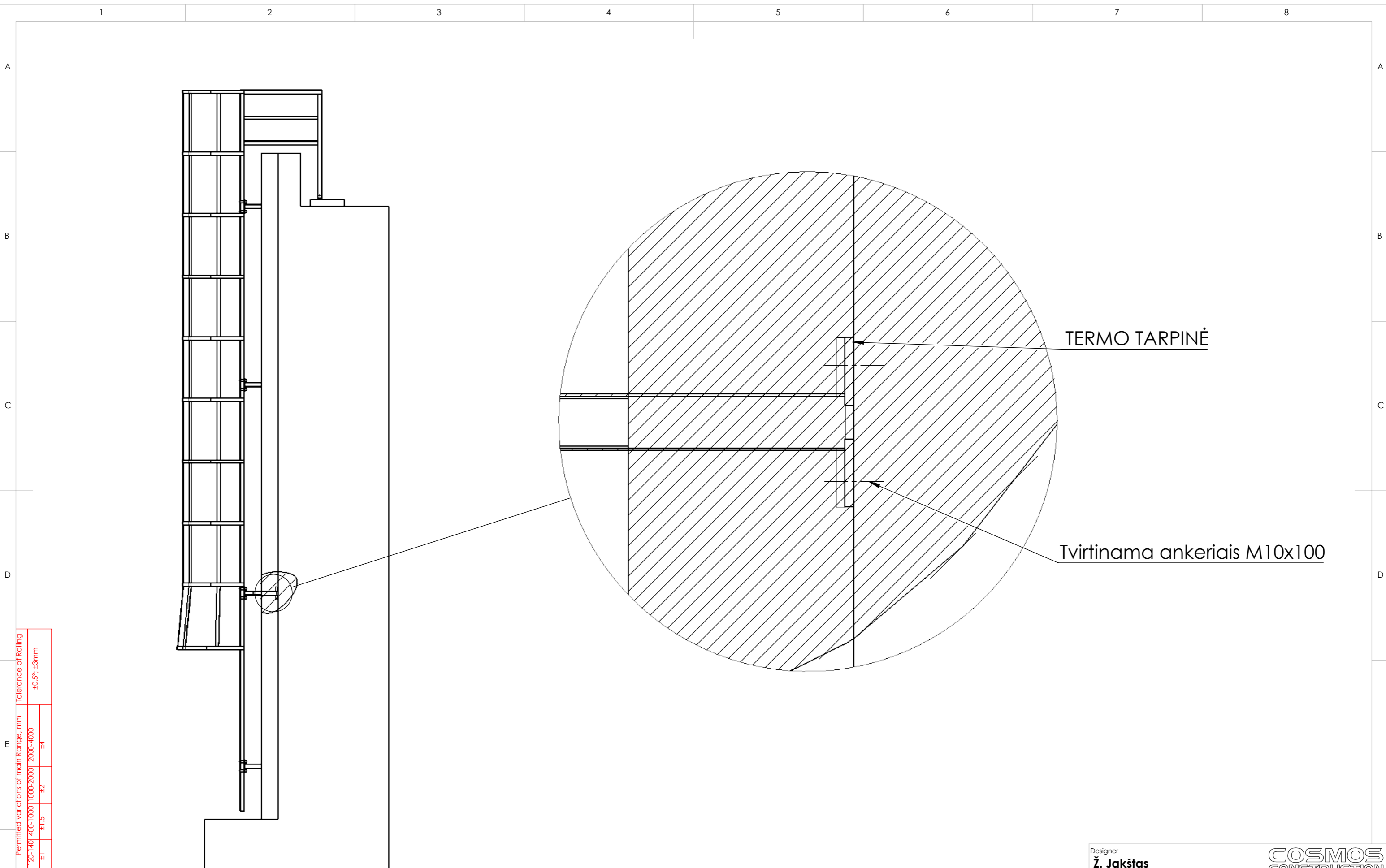
1

2

C:\Users\hp\Desktop\2018-06-07, KOP2\1. Design drawings\Model\KOP-2\

WEIGHT:

SCALE:1:100 SHEET 1 OF 10



F	Class of tolerance	Permitted variations of main Range, mm	Tolerance of Rolling
	Dimension	120-140   400-1000   1000-2000   2000-4000	±0,5°; ±3mm
F	Dimension	±1	
	Tolerance	±1,5	±2

EN 1090-1:2009, +A1:2011, EXC2/EXC3

PAVIRŠIAUS PADENGIMAS

QTY:

pcs.

Project: KOP2

Designer  
**Ž. Jakštas**

**COSMOS**  
 CONSTRUCTION

[www.metalworks.lt](http://www.metalworks.lt)

TITLE:

# KOP-3 detalizacija

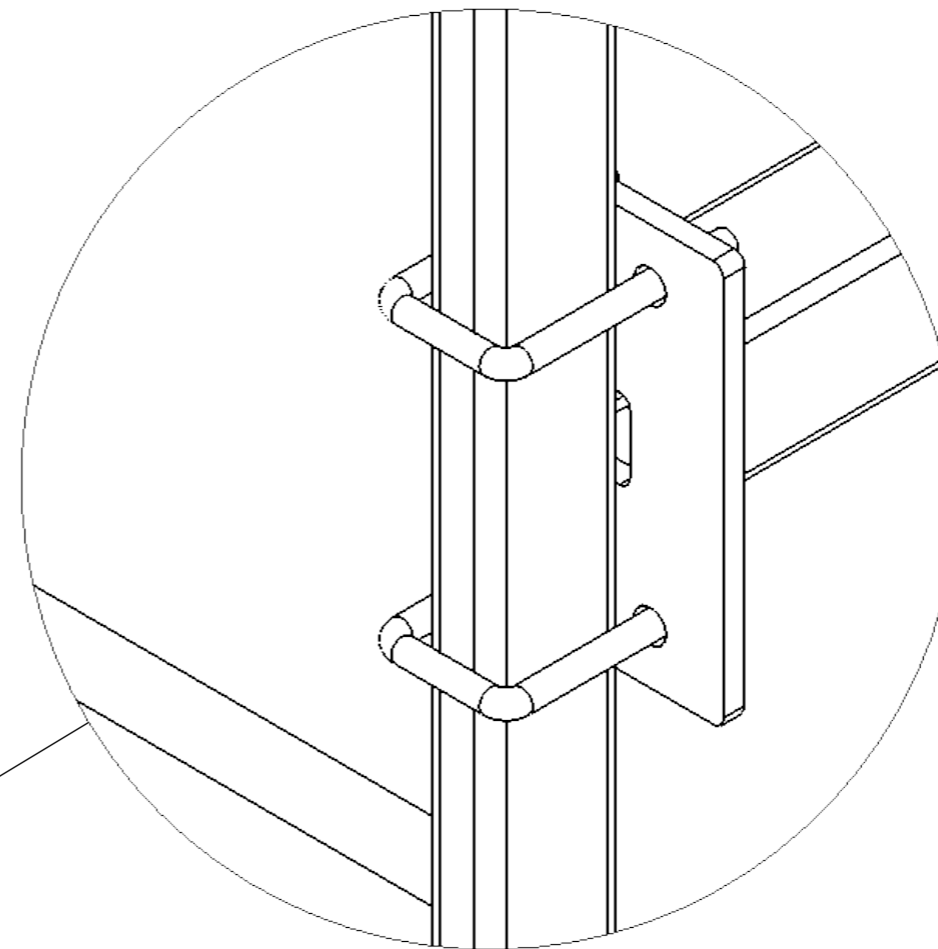
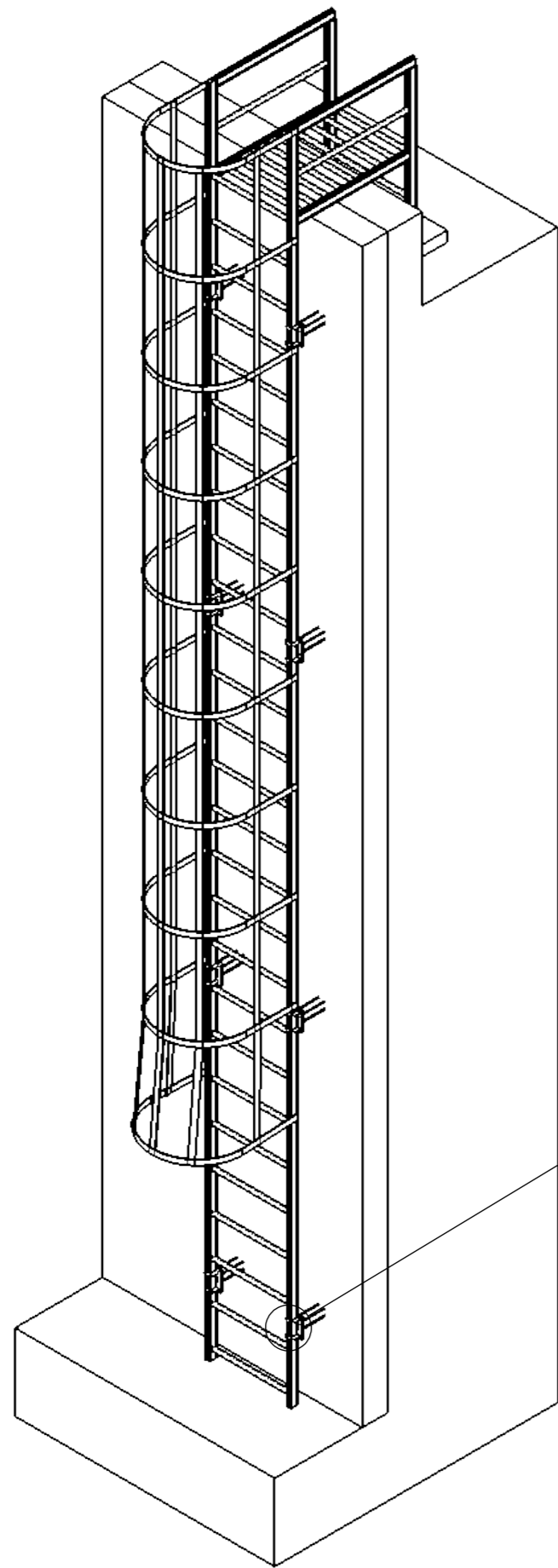
Monday, June 11, 2018 11:12:25 AM

A3

WEIGHT:

SCALE:1:100

SHEET 2 OF 10



F	Class of tolerance	Permitted variations of main Range, mm	Tolerance of Rolling
	Dimension	120-140   400-1000   1000-2000   2000-4000	$\pm 0,5^\circ$ ; $\pm 3\text{mm}$
F	Tolerance	$\pm 1$ ; $\pm 1,5$ ; $\pm 2$ ; $\pm 4$	

EN 1090-1:2009,+A1:2011, EXC2/EXC3

PAVIRŠIAUS PADENGIMAS

QTY: pcs. Project: KOP2

Designer  
**Ž. Jakštas**

**COSMOS**  
CONSTRUCTION

TITLE: [www.metalworks.lt](http://www.metalworks.lt)

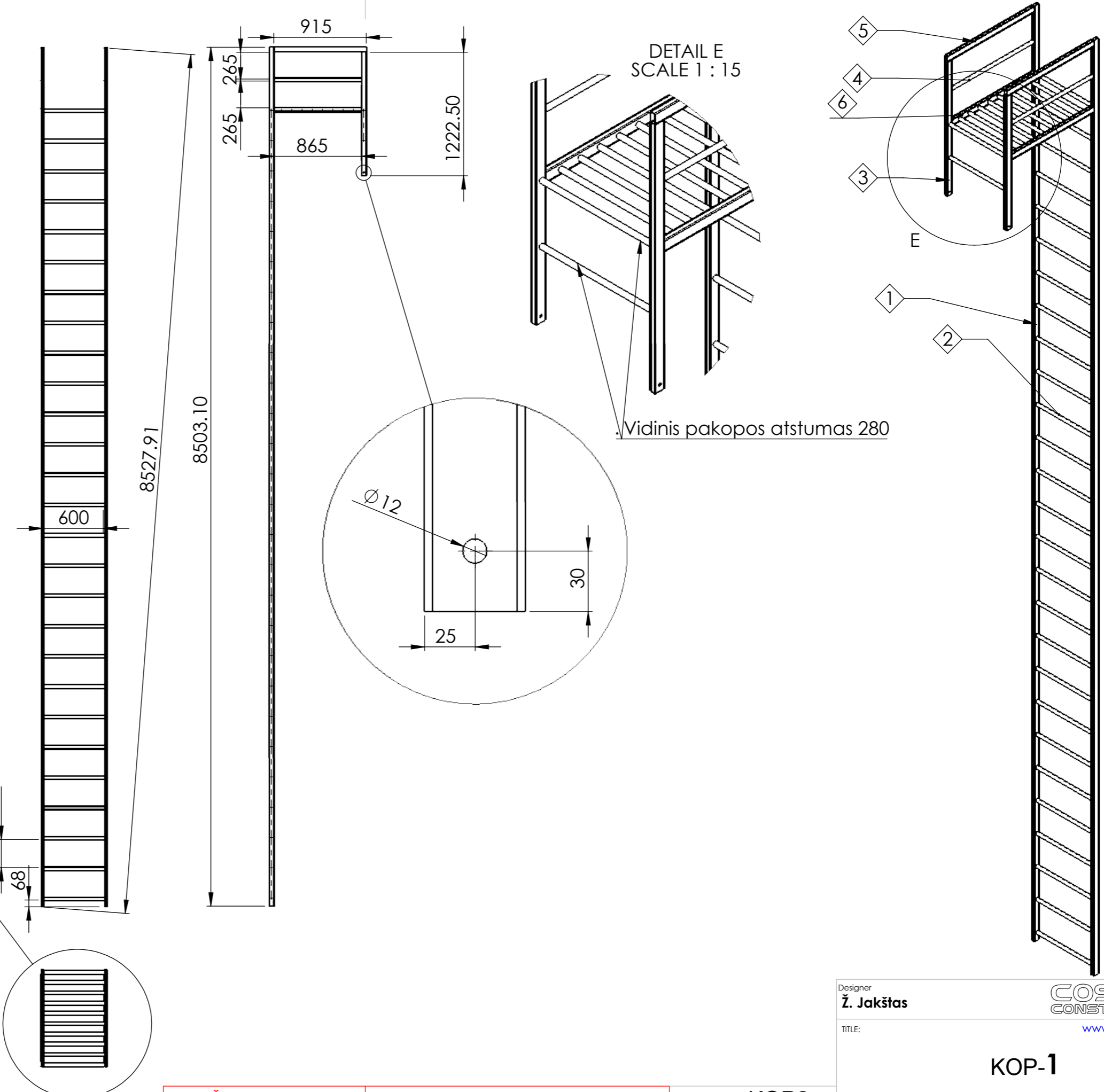
# KOP-4 detalizacija

Monday, June 11, 2018 11:12:25 AM

A3

WEIGHT: SCALE:1:100 SHEET 3 OF 10

ITEM NO.	PART NUMBER	LENGTH	QTY.
1	Vamzdis 50x25x2	8503,10	2
2	Vamzdis 20x2	600	37
3	Vamzdis 50x25x2	1222,50	2
4	Vamzdis 20x2	865	2
5	Vamzdis 50x25x2	915	2
6	Vamzdis 50x25x2	865	2



Class of tolerance	Permitted variations of main Range, mm	Tolerance of Rolling
Dimension	120-140 ±1.5	±0.5°; ±3mm
Tolerance	1000-2000 ±2	
	2000-4000 ±4	

EN 1090-1:2009, +A1:2011, EXC2/EXC3

PAVIRŠIAUS PADENGIMAS

QTY:2

pcs.

Project: KOP2

Designer  
**Ž. Jakštas**

**COSMOS**  
CONSTRUCTION

[www.metalworks.lt](http://www.metalworks.lt)

TITLE:

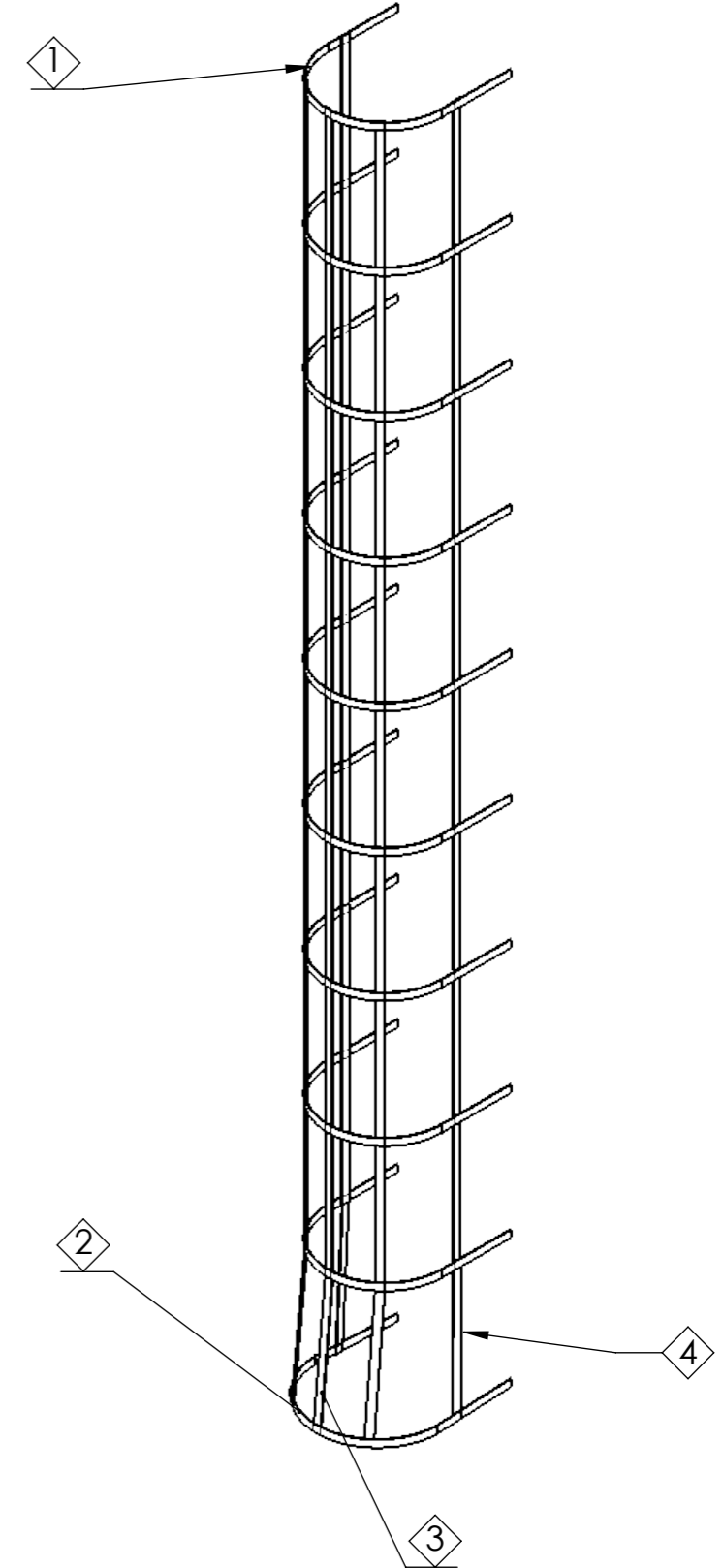
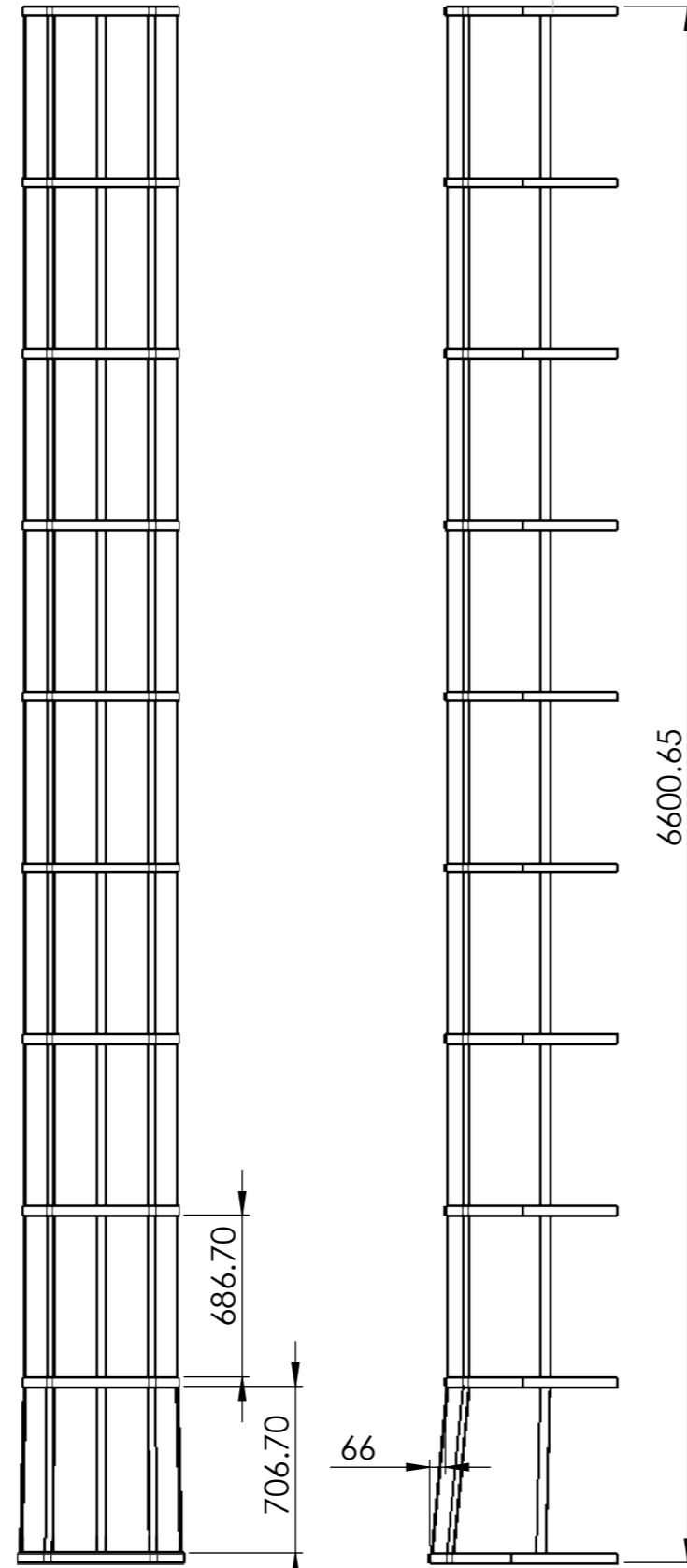
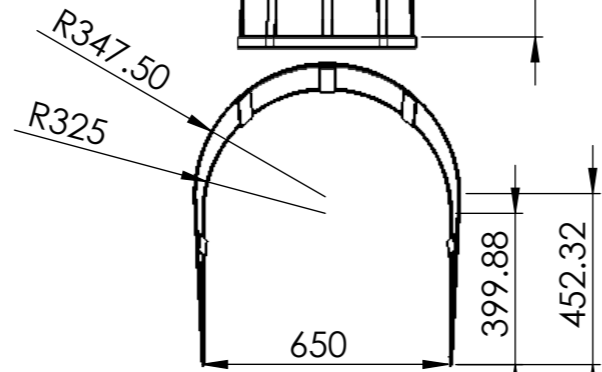
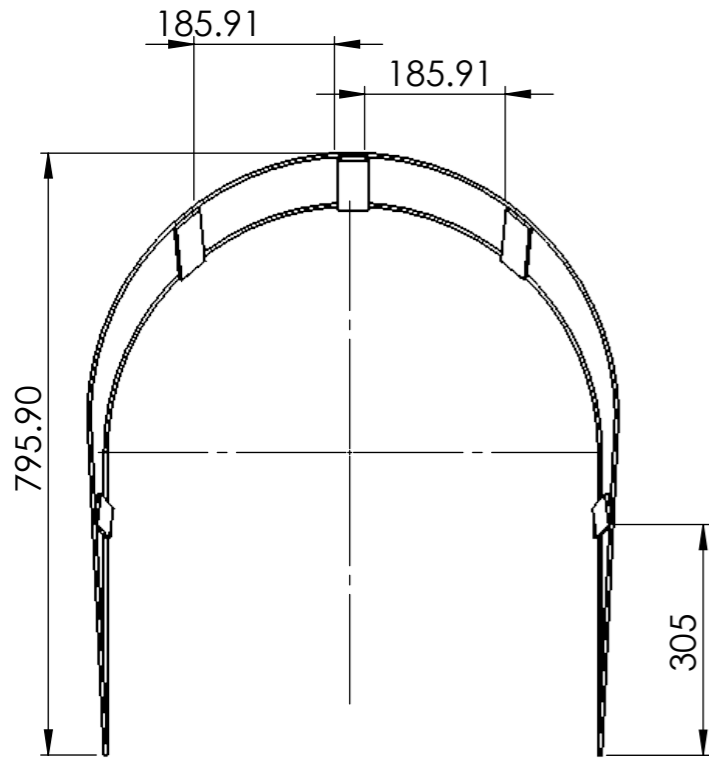
**KOP-1**

Monday, June 11, 2018 11:12:25 AM

A3

WEIGHT: SCALE:1:100 SHEET 4 OF 10

ITEM NO.	PART NUMBER	LENGTH	QTY.
1	Juosta 40x5	1836.73	9
2	Juosta 40x5	1995.81	1
3	Juosta 40x5	6633.43	3
4	Juosta 40x5	6600.65	2



Class of tolerance	Permitted variations of main Range, mm	Tolerance of Rolling
F	120-140 ±1.5	±0.5°; ±3mm
F	400-1000 ±2	
F	2000-4000 ±4	

EN 1090-1:2009,+A1:2011, EXC2/EXC3

PAVIRŠIAUS PADENGIMAS

QTY:2

pcs.

Project: KOP2

Designer  
Ž. Jakštas

TITLE:

KOP-2

Monday, June 11, 2018 11:12:25 AM

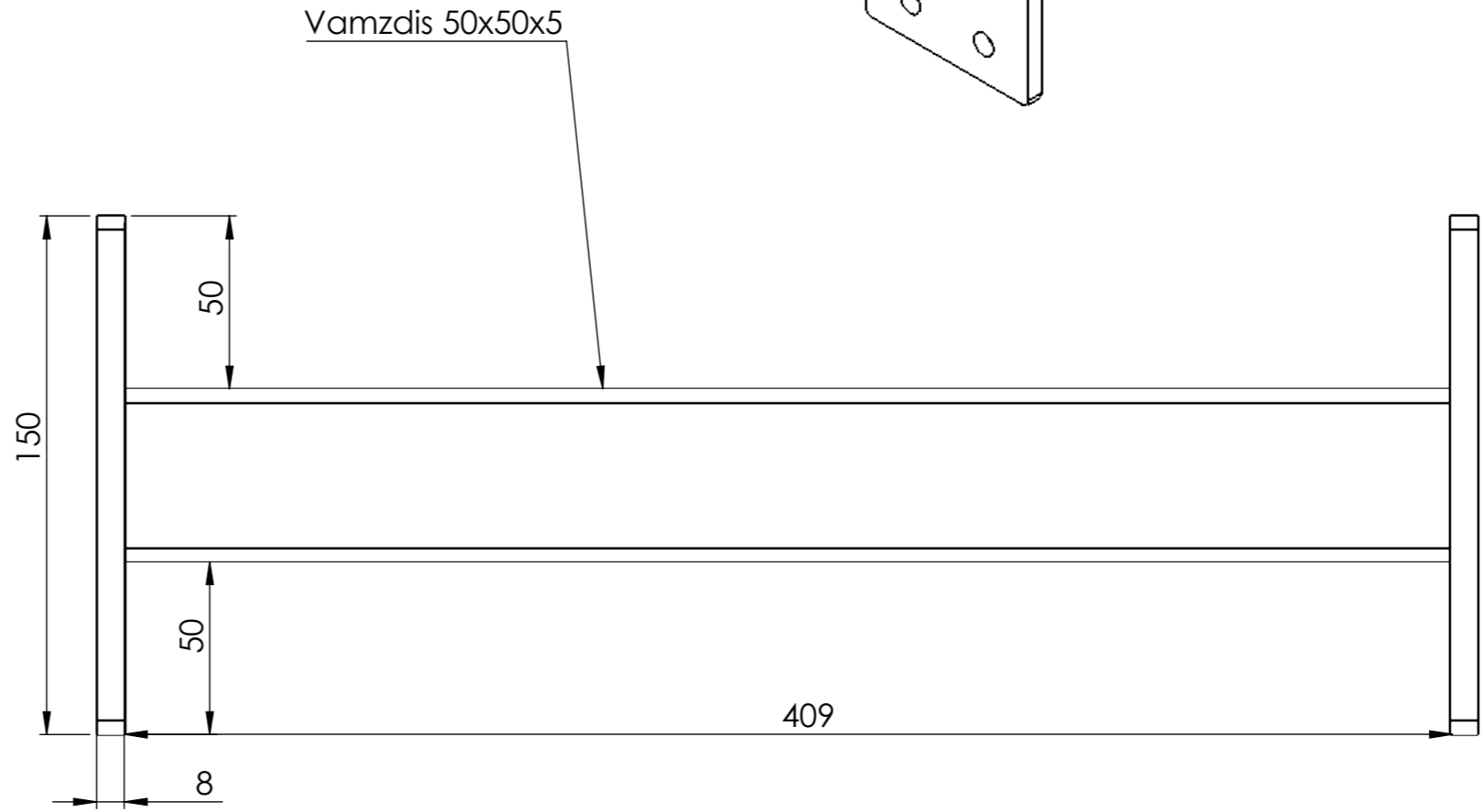
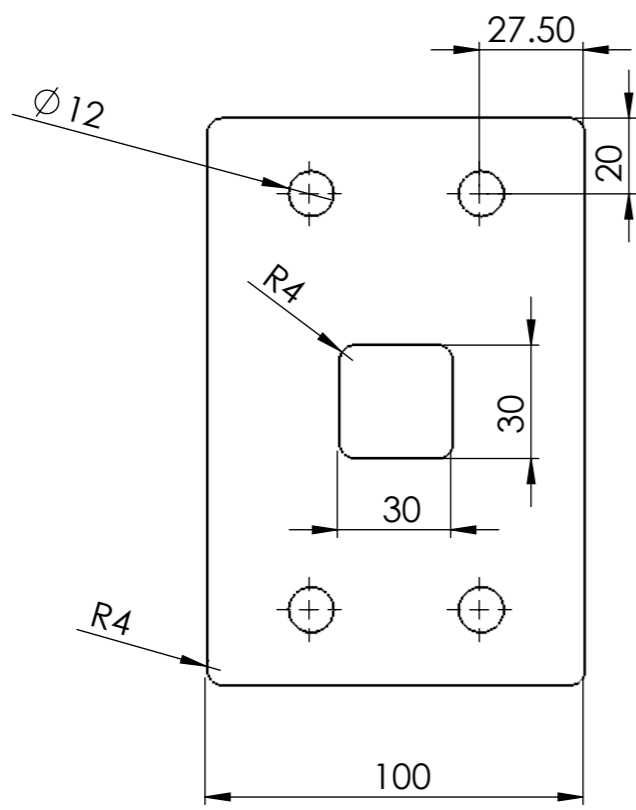
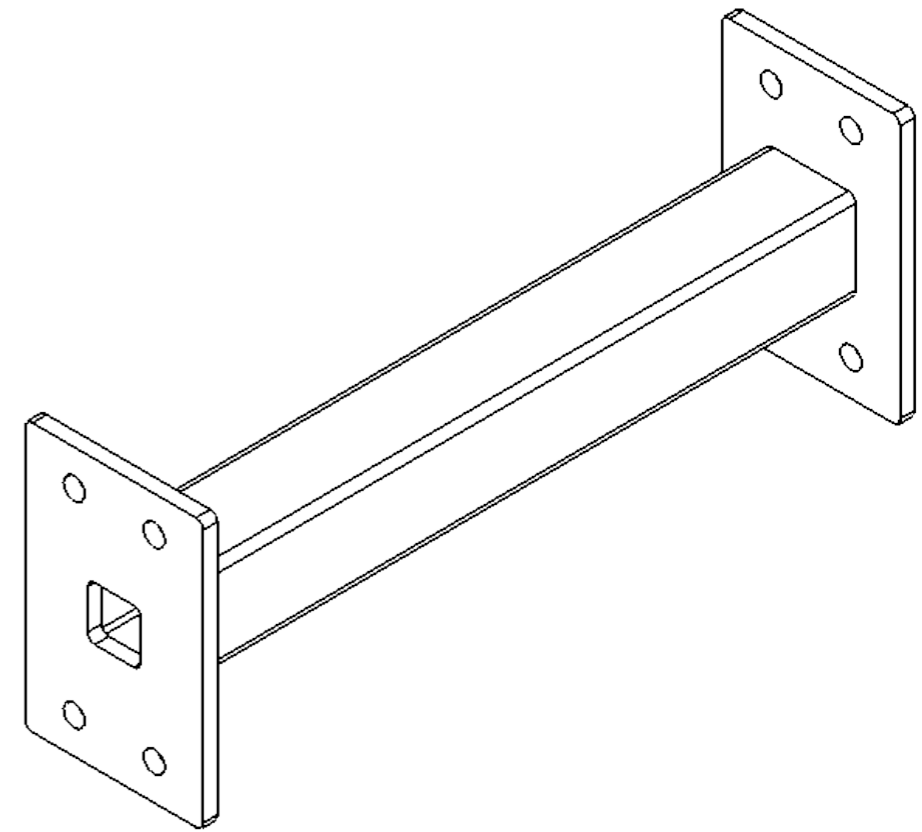
A3

WEIGHT:

SCALE:1:100

SHEET 5 OF 10

ITEM NO.	PART NUMBER	LENGTH	QTY.
1	Plokštelė 100x150x8	-	2
2	Vamzdis 50x50x5	409	1



Class of Tolerance	Permitted variations of main Range, mm		Tolerance of Rolling
	120-140	400-1000	±0.5°; ±3mm
Dimension	±1	±1.5	±4
	±2	±2	

EN 1090-1:2009,+A1:2011, EXC2/EXC3

PAVIRŠIAUS PADENGIMAS

QTY:16 pcs. Project: KOP2

Designer  
**Ž. Jakštas**  
COSMOS CONSTRUCTION  
www.metalworks.lt

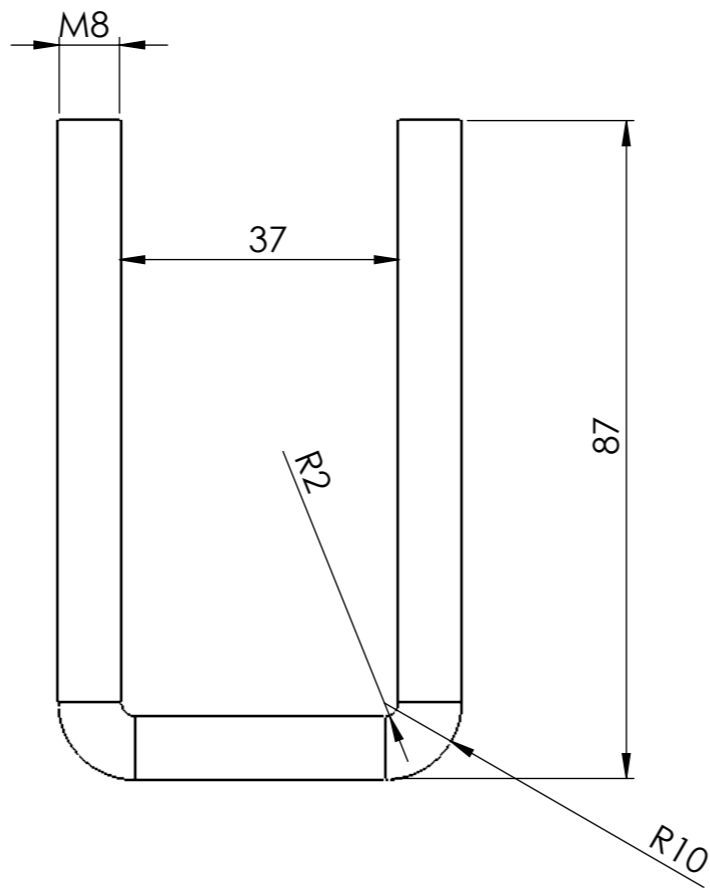
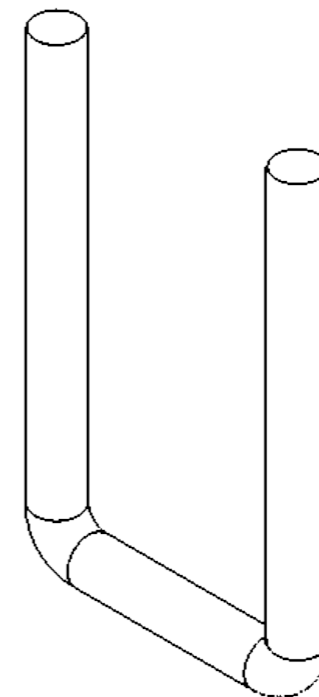
**KOP-3**

Monday, June 11, 2018 11:12:25 AM

A3

WEIGHT: SCALE:1:100 SHEET 6 OF 10

ITEM NO.	PART NUMBER	LENGTH	QTY.
1	Srieginis strypas M8	206	16



Class of Tolerance	Permitted variations of main Range, mm	Tolerance of Rolling
Dimension	120-140 ±1.5	±0.5° ±3mm
Tolerance	1000-2000 ±2	
	2000-4000 ±4	

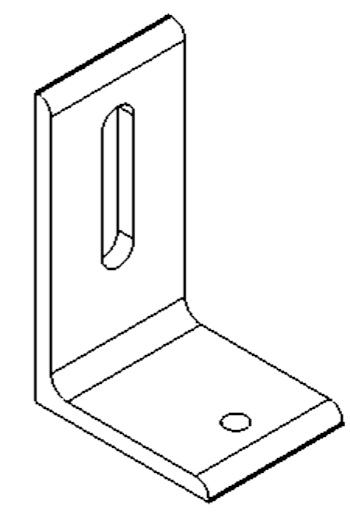
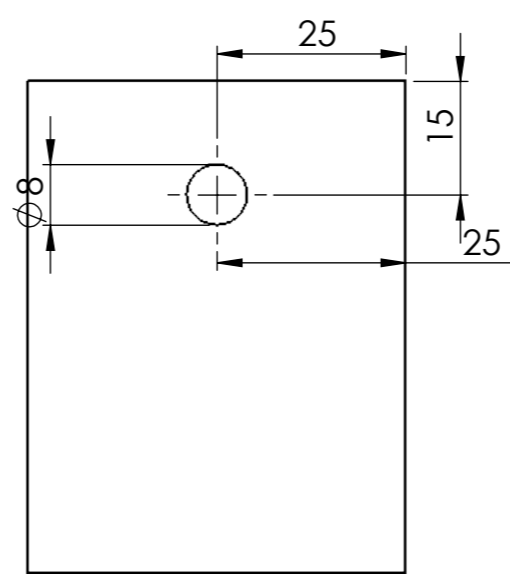
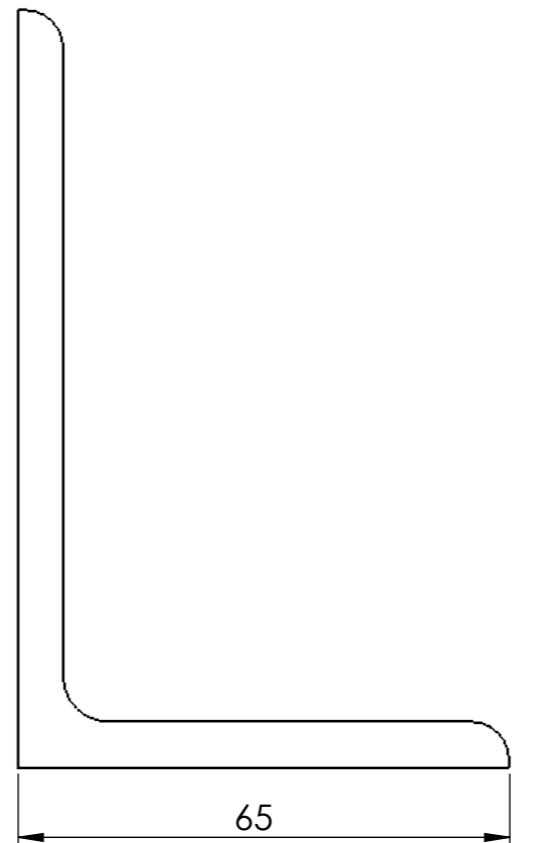
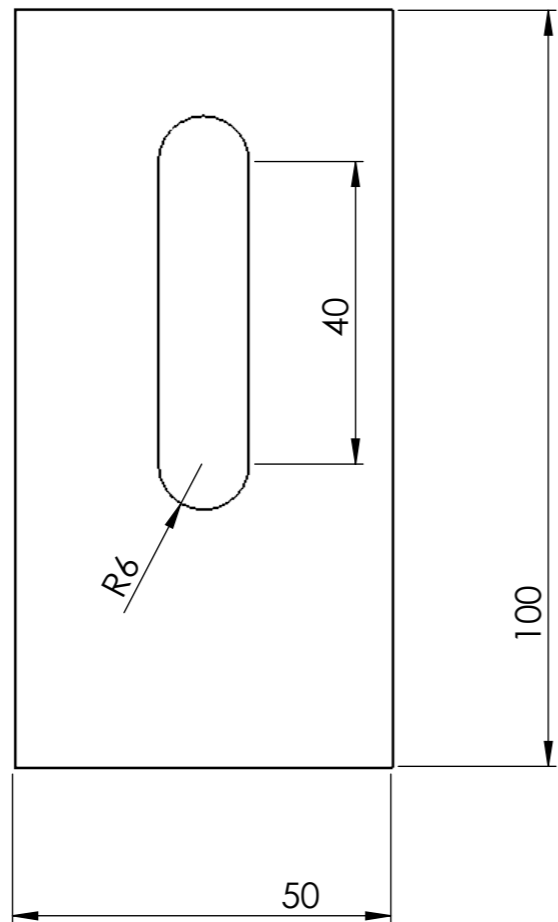
EN 1090-1:2009, +A1:2011, EXC2/EXC3

PAVIRŠIAUS PADENGIMAS

QTY:32 pcs. Project: KOP2

Designer <b>Ž. Jakštas</b>	<b>COSMOS</b> CONSTRUCTION
TITLE:	<a href="http://www.metalworks.lt">www.metalworks.lt</a>
<b>KOP-4</b>	
Monday, June 11, 2018 11:12:25 AM	A3
WEIGHT:	SCALE:1:100 SHEET 7 OF 10

ITEM NO.	PART NUMBER	QTY.
1	Kampuotis 100x65x6	2



Class of Tolerance	Permitted variations of main Range, mm	Tolerance of Rolling
Dimension	120-140 ±1	±0,5°
Tolerance	400-1000 ±1,5	±3mm
	1000-2000 ±2	
	2000-4000 ±4	

EN 1090-1:2009, +A1:2011, EXC2/EXC3

PAVIRŠIAUS PADENGIMAS

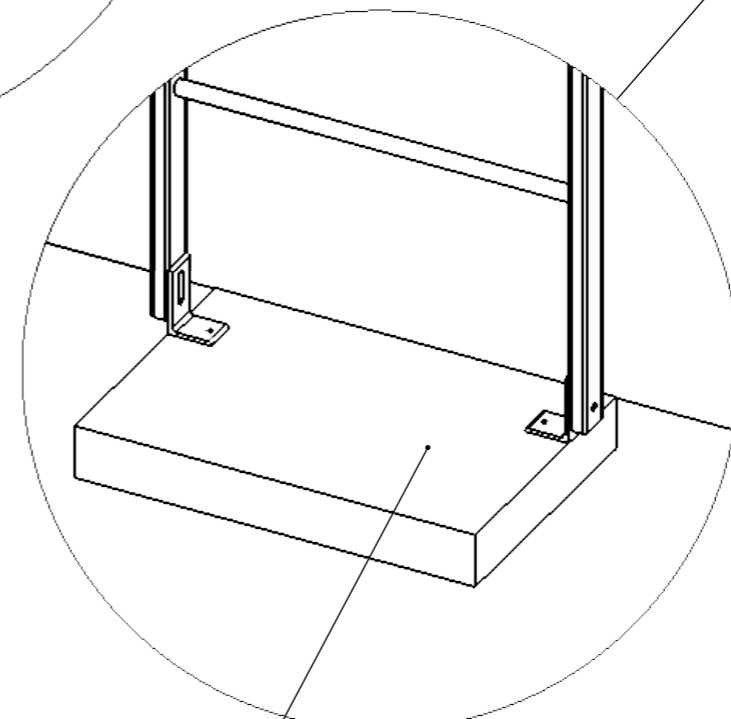
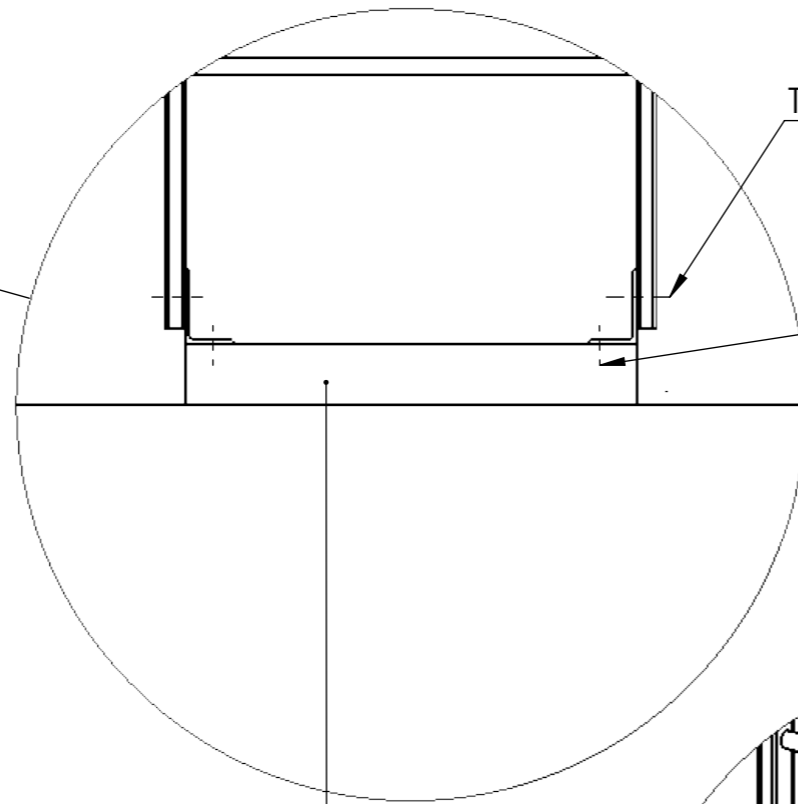
QTY:4 pcs.

Project: KOP2

Designer <b>Ž. Jakštas</b>	<b>COSMOS</b> CONSTRUCTION
TITLE:	<a href="http://www.metalworks.lt">www.metalworks.lt</a>
<b>KOP-5</b>	
Monday, June 11, 2018 11:12:25 AM	A3
WEIGHT:	SCALE:1:100 SHEET 8 OF 10



ITEM NO.	PART NUMBER	QTY.
1	Betono plokštė 600x400x80	1



Betono plokštė 600x400x80

Plokštė dedama ne mažesniu kaip 50mm atstumu nuo kampuočių braiunų

Designer <b>Ž. Jakštas</b>	<b>COSMOS</b> CONSTRUCTION
TITLE:	<a href="http://www.metalworks.lt">www.metalworks.lt</a>
<b>KOP-6</b>	
Monday, June 11, 2018 11:12:25 AM	<b>A3</b>
WEIGHT:	SCALE:1:100 SHEET 9 OF 10

Class of tolerance	Permitted variations of main Range, mm	Tolerance of Rolling
Dimension	120-140 ±1.5	±0.5° ±3mm
Tolerance	400-1000 ±2	
	1000-2000 ±4	
	2000-4000 ±4	

EN 1090-1:2009,+A1:2011, EXC2/EXC3

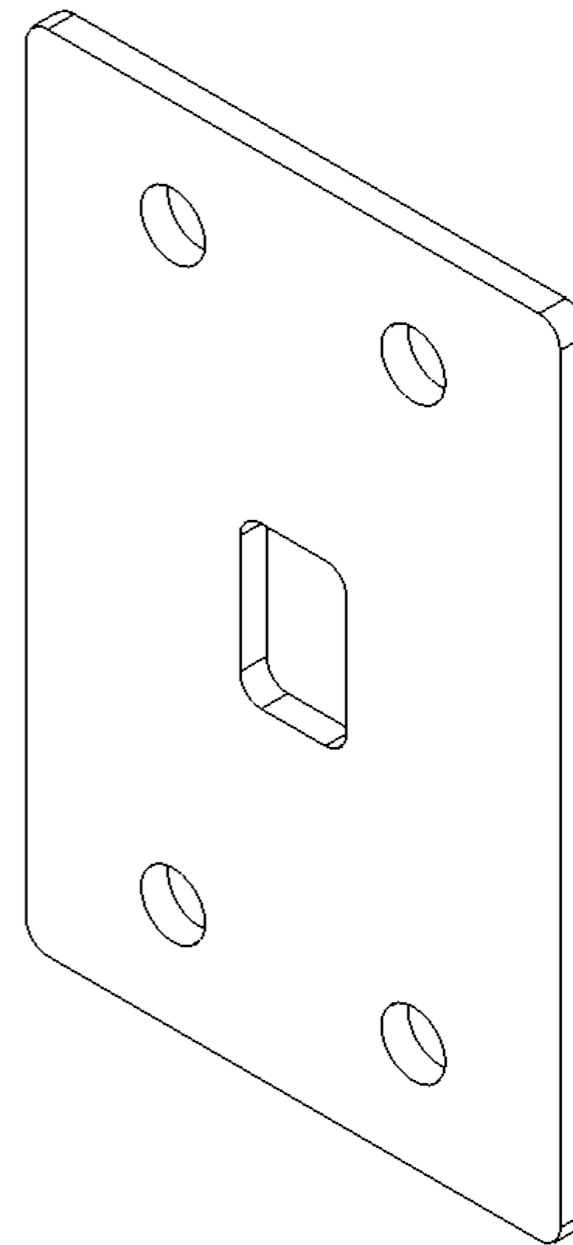
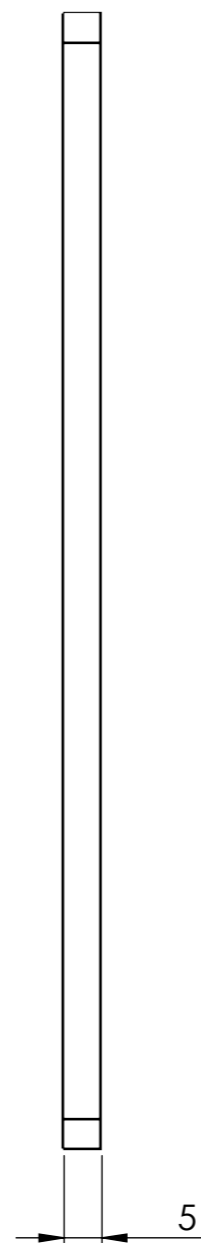
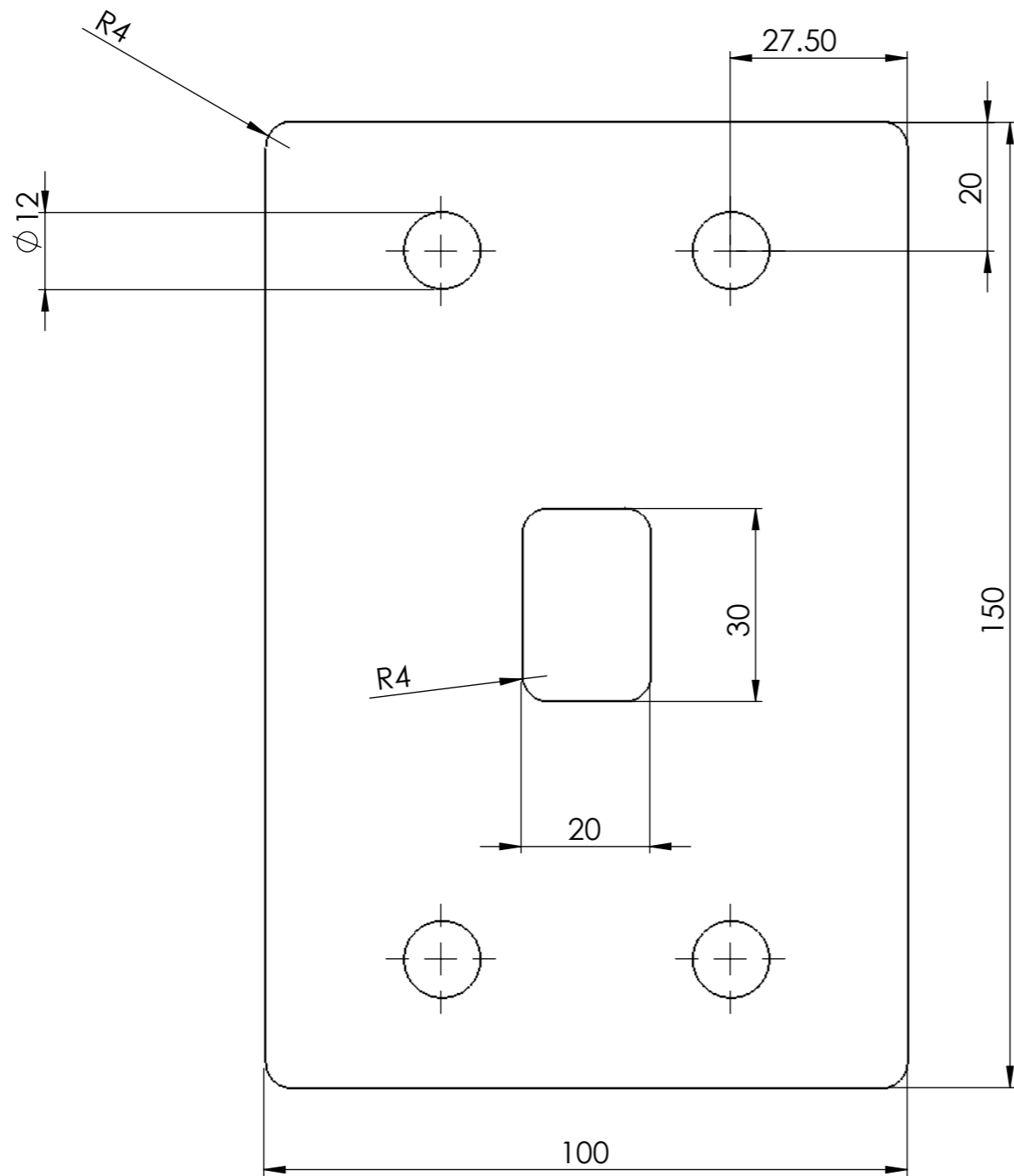
PAVIRŠIAUS PADENGIMAS

QTY:2

pcs.

Project: KOP2

ITEM NO.	PART NUMBER	QTY.
1	TERMO TARPINĖ	8



Class of Tolerance	Permitted variations of main Range, mm	Tolerance of Rolling
Dimension	120-140 ±1.5	±0.5° ±3mm
Tolerance	1000-2000 ±2	
	2000-4000 ±4	

EN 1090-1:2009, +A1:2011, EXC2/EXC3

PAVIRŠIAUS PADENGIMAS

QTY:32 pcs. Project: KOP2

Designer  
**Ž. Jakštas**

**COSMOS**  
CONSTRUCTION

TITLE: [www.metalworks.lt](http://www.metalworks.lt)

**KOP-7**

Monday, June 11, 2018 11:12:25 AM

A3

WEIGHT:

SCALE:1:100

SHEET 10 OF 10